

PINZE COLLETS





p. 216-222

PZER

Pinze ER (Standard)
ER Collets (Standard)



p. 223-228

ERUP

Pinze ER (Ultra Precision)
ER Collets (High Precision)



p. 229-232

ERVU

Pinze ER (Vulcanizzate)
ER Collets (Rubber Sealed)



p. 233-235

PZSQ

Pinze ER
(con Quadro Interno)
ER Collets
(with Internal Square)



NEW

p. 236-238

PZERJ

Pinze ER
(a Tenuta con Fori di Lubrificazione)
ER Collets
(Externally Cooled Collets)



p. 239-241

PZOZ

Pinze OZ (Standard)
OZ Collets (Standard)



p. 242-243

PZCFR

Pinze con Frizione
Tapping Collets with Clutch



p. 244-245

PZSFR

Pinze senza Frizione
Tapping Collets without Clutch



NEW

p. 246-247

BSFS

Bussole di Riduzione per
Forte Serraggio
Reduction Sleeve for
Power Milling Chucks

PINZE | COLLETS

Indice di sezione | Section Index



p. 248-249

BSID

Bussole di Riduzione per
Serraggio Idraulico
Reduction Sleeve for
Hydraulic Chucks



NEW

p. 250

PZER SET BP

Set Pinze ER (Standard)
"Valigetta in Plastica"
Set ER Collets (Standard)
"Plastic Box"



p. 250

PZER SET BL

Set Pinze ER (Standard)
"Base in Legno"
Set ER Collets (Standard)
"Wooden Base"



NEW

p. 251

ERUP SET

Set Pinze ER (Ultra Precise)
"Valigetta in Plastica"
Set ER Collets (High Precision)
"Plastic Box"



NEW

p. 251

ERVU SET

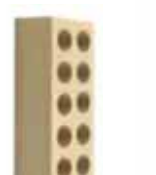
Set Pinze ER (Vulcanizzate)
"Valigetta in Plastica"
Set ER Collets (Rubber Sealed)
"Plastic Box"



p. 252

SCO

Valigetta in Plastica
"Porta Pinze ER e
Porta Mandrino"
Plastic Box
"For ER Collets and
Collet Chucks"



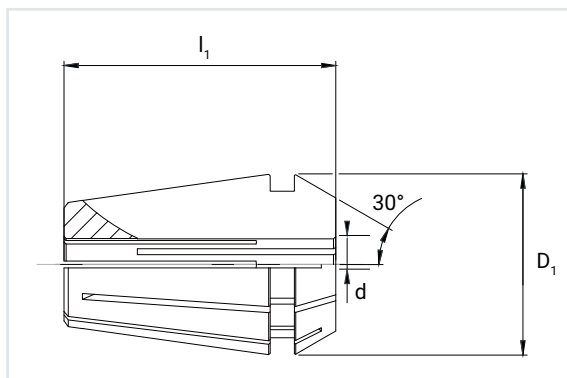
p. 252

SER

Base in Legno
"Porta Pinze ER"
Wooden Base
"for ER Collets"

PZER

PINZE ER DIN 6499 (STANDARD) ER COLLETS DIN 6499 (STANDARD)



Run Out: Max. 15 µm



Ordine d'ordine Order Code	STATUS	ER	d	D ₁	l ₁	Gamma di serraggio Clamping Range
PZER ER 8						
PZER ER8X1	●	8	1	8.5	13.5	1 ÷ 0.5
PZER ER8X1.5	●	8	1.5	8.5	13.5	1.5 ÷ 1
PZER ER8X2	●	8	2	8.5	13.5	2 ÷ 1.5
PZER ER8X2.5	●	8	2.5	8.5	13.5	2.5 ÷ 2
PZER ER8X3	●	8	3	8.5	13.5	3 ÷ 2.5
PZER ER8X3.5	●	8	3.5	8.5	13.5	3.5 ÷ 3
PZER ER8X4	●	8	4	8.5	13.5	4 ÷ 3.5
PZER ER8X4.5	●	8	4.5	8.5	13.5	4.5 ÷ 4
PZER ER8X5	●	8	5	8.5	13.5	5 ÷ 4.5
PZER ER 11						
PZER ER11X1	●	11	1	11.5	18	1 ÷ 0.5
PZER ER11X1.5	●	11	1.5	11.5	18	1.5 ÷ 1
PZER ER11X2	●	11	2	11.5	18	2 ÷ 1.5
PZER ER11X2.5	●	11	2.5	11.5	18	2.5 ÷ 2
PZER ER11X3	●	11	3	11.5	18	3 ÷ 2.5
PZER ER11X3.5	●	11	3.5	11.5	18	3.5 ÷ 3
PZER ER11X4	●	11	4	11.5	18	4 ÷ 3.5
PZER ER11X4.5	●	11	4.5	11.5	18	4.5 ÷ 4

La gamma prosegue nella pagina successiva | The range continues on the next page >>

>> PZER PINZE ER DIN 6499 (STANDARD) | ER COLLETS DIN 6499 (STANDARD)

Codice d'ordine Order Code	STATUS	ER	d	D ₁	l ₁	Gamma di serraggio Clamping Range
PZER ER 11						
PZER ER11X5	●	11	5	11.5	18	5 ÷ 4.5
PZER ER11X5.5	●	11	5.5	11.5	18	5.5 ÷ 5
PZER ER11X6	●	11	6	11.5	18	6 ÷ 5.5
PZER ER11X6.5	●	11	6.5	11.5	18	6.5 ÷ 6
PZER ER11X7	●	11	7	11.5	18	7 ÷ 6.5
PZER ER 16						
PZER ER16X1	●	16	1	17	27.5	1 ÷ 0.5
PZER ER16X2	●	16	2	17	27.5	2 ÷ 1
PZER ER16X2.5	NEW ●	16	2.5	17	27.5	2.5 ÷ 2
PZER ER16X3	●	16	3	17	27.5	3 ÷ 2
PZER ER16X3.5	NEW ●	16	3.5	17	27.5	3.5 ÷ 2.5
PZER ER16X4	●	16	4	17	27.5	4 ÷ 3
PZER ER16X4.5	NEW ●	16	4.5	17	27.5	4.5 ÷ 3.5
PZER ER16X5	●	16	5	17	27.5	5 ÷ 4
PZER ER16X5.5	NEW ●	16	5.5	17	27.5	5.5 ÷ 4.5
PZER ER16X6	●	16	6	17	27.5	6 ÷ 5
PZER ER16X6.5	NEW ●	16	6.5	17	27.5	6.5 ÷ 5.5
PZER ER16X7	●	16	7	17	27.5	7 ÷ 6
PZER ER16X7.5	NEW ●	16	7.5	17	27.5	7.5 ÷ 6.5
PZER ER16X8	●	16	8	17	27.5	8 ÷ 7
PZER ER16X8.5	NEW ●	16	8.5	17	27.5	8.5 ÷ 7.5
PZER ER16X9	●	16	9	17	27.5	9 ÷ 8
PZER ER16X9.5	NEW ●	16	9.5	17	27.5	9.5 ÷ 8.5
PZER ER16X10	●	16	10	17	27.5	10 ÷ 9
PZER ER16X12	NEW ●	16	12	17	27.5	12 ÷ 11
PZER ER 20						
PZER ER20X1.5	NEW ●	20	1.5	21	31.5	1.5 ÷ 1
PZER ER20X2	●	20	2	21	31.5	2 ÷ 1
PZER ER20X2.5	NEW ●	20	2.5	21	31.5	2.5 ÷ 2
PZER ER20X3	●	20	3	21	31.5	3 ÷ 2
PZER ER20X3.5	NEW ●	20	3.5	21	31.5	3.5 ÷ 2.5
PZER ER20X4	●	20	4	21	31.5	4 ÷ 3
PZER ER20X4.5	NEW ●	20	4.5	21	31.5	4.5 ÷ 3.5
PZER ER20X5	●	20	5	21	31.5	5 ÷ 4
PZER ER20X5.5	NEW ●	20	5.5	21	31.5	5.5 ÷ 4.5
PZER ER20X6	●	20	6	21	31.5	6 ÷ 5
PZER ER20X6.5	NEW ●	20	6.5	21	31.5	6.5 ÷ 5.5
PZER ER20X7	●	20	7	21	31.5	7 ÷ 6

La gamma prosegue nella pagina successiva | The range continues on the next page >>

>> **PZER** PINZE ER DIN 6499 (STANDARD) | ER COLLETS DIN 6499 (STANDARD)

Codice d'ordine Order Code	STATUS	ER	d	D ₁	l ₁	Gamma di serraggio Clamping Range
PZER ER 20						
PZER ER20X7.5	NEW ●	20	7.5	21	31.5	7.5 ÷ 6.5
PZER ER20X8	●	20	8	21	31.5	8 ÷ 7
PZER ER20X8.5	NEW ●	20	8.5	21	31.5	8.5 ÷ 7.5
PZER ER20X9	●	20	9	21	31.5	9 ÷ 8
PZER ER20X9.5	NEW ●	20	9.5	21	31.5	9.5 ÷ 8.5
PZER ER20X10	●	20	10	21	31.5	10 ÷ 9
PZER ER20X10.5	NEW ●	20	10.5	21	31.5	10.5 ÷ 9.5
PZER ER20X11	●	20	11	21	31.5	11 ÷ 10
PZER ER20X11.5	NEW ●	20	11.5	21	31.5	11.5 ÷ 10.5
PZER ER20X12	●	20	12	21	31.5	12 ÷ 11
PZER ER20X12.5	NEW ●	20	12.5	21	31.5	12.5 ÷ 11.5
PZER ER20X13	●	20	13	21	31.5	13 ÷ 12
PZER ER20X14	NEW ●	20	14	21	31.5	14 ÷ 13.5
PZER ER 25						
PZER ER25X1.5	NEW ●	25	1.5	26	34	1.5 ÷ 1
PZER ER25X2	●	25	2	26	34	2 ÷ 1.5
PZER ER25X2.5	NEW ●	25	2.5	26	34	2.5 ÷ 2
PZER ER25X3	●	25	3	26	34	3 ÷ 2
PZER ER25X3.5	NEW ●	25	3.5	26	34	3.5 ÷ 2.5
PZER ER25X4	●	25	4	26	34	4 ÷ 3
PZER ER25X4.5	NEW ●	25	4.5	26	34	4.5 ÷ 3.5
PZER ER25X5	●	25	5	26	34	5 ÷ 4
PZER ER25X5.5	NEW ●	25	5.5	26	34	5.5 ÷ 4.5
PZER ER25X6	●	25	6	26	34	6 ÷ 5
PZER ER25X6.5	NEW ●	25	6.5	26	34	6.5 ÷ 5.5
PZER ER25X7	●	25	7	26	34	7 ÷ 6
PZER ER25X7.5	NEW ●	25	7.5	26	34	7.5 ÷ 6.5
PZER ER25X8	●	25	8	26	34	8 ÷ 7
PZER ER25X8.5	NEW ●	25	8.5	26	34	8.5 ÷ 7.5
PZER ER25X9	●	25	9	26	34	9 ÷ 8
PZER ER25X9.5	NEW ●	25	9.5	26	34	9.5 ÷ 8.5
PZER ER25X10	●	25	10	26	34	10 ÷ 9
PZER ER25X10.5	NEW ●	25	10.5	26	34	10.5 ÷ 9.5
PZER ER25X11	●	25	11	26	34	11 ÷ 10
PZER ER25X11.5	NEW ●	25	11.5	26	34	11.5 ÷ 10.5
PZER ER25X12	●	25	12	26	34	12 ÷ 11
PZER ER25X12.5	NEW ●	25	12.5	26	34	12.5 ÷ 11.5
PZER ER25X13	●	25	13	26	34	13 ÷ 12
PZER ER25X13.5	NEW ●	25	13.5	26	34	13.5 ÷ 12.5

La gamma prosegue nella pagina successiva | The range continues on the next page >>

>> PZER PINZE ER DIN 6499 (STANDARD) | ER COLLETS DIN 6499 (STANDARD)

Codice d'ordine Order Code	STATUS	ER	d	D ₁	l ₁	Gamma di serraggio Clamping Range
PZER ER 25						
PZER ER25X14	●	25	14	26	34	14 ÷ 13
PZER ER25X14.5	NEW ●	25	14.5	26	34	14.5 ÷ 13.5
PZER ER25X15	●	25	15	26	34	15 ÷ 14
PZER ER25X15.5	NEW ●	25	15.5	26	34	15.5 ÷ 14.5
PZER ER25X16	●	25	16	26	34	16 ÷ 15
PZER ER25X16.5	NEW ●	25	16.5	26	34	16.5 ÷ 15.5
PZER ER25X17	NEW ●	25	17	26	34	17 ÷ 16
PZER ER25X17.5	NEW ●	25	17.5	26	34	17.5 ÷ 16.5
PZER ER25X18	NEW ●	25	18	26	34	18 ÷ 17
PZER ER25X19	NEW ●	25	19	26	34	19 ÷ 18.5
PZER ER25X20	NEW ●	25	20	26	34	20 ÷ 19.5
PZER ER 32						
PZER ER32X2	●	32	2	33	40	2 ÷ 1.5
PZER ER32X3	●	32	3	33	40	3 ÷ 2
PZER ER32X3.5	NEW ●	32	3.5	33	40	3.5 ÷ 3
PZER ER32X4	●	32	4	33	40	4 ÷ 3
PZER ER32X4.5	NEW ●	32	4.5	33	40	4.5 ÷ 3.5
PZER ER32X5	●	32	5	33	40	5 ÷ 4
PZER ER32X5.5	NEW ●	32	5.5	33	40	5.5 ÷ 4.5
PZER ER32X6	●	32	6	33	40	6 ÷ 5
PZER ER32X6.5	NEW ●	32	6.5	33	40	6.5 ÷ 5.5
PZER ER32X7	●	32	7	33	40	7 ÷ 6
PZER ER32X7.5	NEW ●	32	7.5	33	40	7.5 ÷ 6.5
PZER ER32X8	●	32	8	33	40	8 ÷ 7
PZER ER32X8.5	NEW ●	32	8.5	33	40	8.5 ÷ 7.5
PZER ER32X9	●	32	9	33	40	9 ÷ 8
PZER ER32X9.5	NEW ●	32	9.5	33	40	9.5 ÷ 8.5
PZER ER32X10	●	32	10	33	40	10 ÷ 9
PZER ER32X10.5	NEW ●	32	10.5	33	40	10.5 ÷ 9.5
PZER ER32X11	●	32	11	33	40	11 ÷ 10
PZER ER32X11.5	NEW ●	32	11.5	33	40	11.5 ÷ 10.5
PZER ER32X12	●	32	12	33	40	12 ÷ 11
PZER ER32X12.5	NEW ●	32	12.5	33	40	12.5 ÷ 11.5
PZER ER32X13	●	32	13	33	40	13 ÷ 12
PZER ER32X13.5	NEW ●	32	13.5	33	40	13.5 ÷ 12.5
PZER ER32X14	●	32	14	33	40	14 ÷ 13
PZER ER32X14.5	NEW ●	32	14.5	33	40	14.5 ÷ 13.5
PZER ER32X15	●	32	15	33	40	15 ÷ 14
PZER ER32X15.5	NEW ●	32	15.5	33	40	15.5 ÷ 14.5

La gamma prosegue nella pagina successiva | The range continues on the next page >>

>> **PZER** PINZE ER DIN 6499 (STANDARD) | ER COLLETS DIN 6499 (STANDARD)

Codice d'ordine Order Code	STATUS	ER	d	D ₁	l ₁	Gamma di serraggio Clamping Range
PZER ER 32						
PZER ER32X16	●	32	16	33	40	16 ÷ 15
PZER ER32X16.5	NEW ●	32	16.5	33	40	16.5 ÷ 15.5
PZER ER32X17	●	32	17	33	40	17 ÷ 16
PZER ER32X17.5	NEW ●	32	17.5	33	40	17.5 ÷ 16.5
PZER ER32X18	●	32	18	33	40	18 ÷ 17
PZER ER32X18.5	NEW ●	32	18.5	33	40	18.5 ÷ 17.5
PZER ER32X19	●	32	19	33	40	19 ÷ 18
PZER ER32X19.5	NEW ●	32	19.5	33	40	19.5 ÷ 18.5
PZER ER32X20	●	32	20	33	40	20 ÷ 19
PZER ER32X21	NEW ●	32	21	33	40	21 ÷ 20
PZER ER32X22	NEW ●	32	22	33	40	22 ÷ 21
PZER ER 40						
PZER ER40X3	●	40	3	41	46	3 ÷ 2
PZER ER40X3.5	NEW ●	40	3.5	41	46	3.5 ÷ 3
PZER ER40X4	●	40	4	41	46	4 ÷ 3
PZER ER40X4.5	NEW ●	40	4.5	41	46	4.5 ÷ 3.5
PZER ER40X5	●	40	5	41	46	5 ÷ 4
PZER ER40X5.5	NEW ●	40	5.5	41	46	5.5 ÷ 4.5
PZER ER40X6	●	40	6	41	46	6 ÷ 5
PZER ER40X6.5	NEW ●	40	6.5	41	46	6.5 ÷ 5.5
PZER ER40X7	●	40	7	41	46	7 ÷ 6
PZER ER40X7.5	NEW ●	40	7.5	41	46	7.5 ÷ 6.5
PZER ER40X8	●	40	8	41	46	8 ÷ 7
PZER ER40X8.5	NEW ●	40	8.5	41	46	8.5 ÷ 7.5
PZER ER40X9	●	40	9	41	46	9 ÷ 8
PZER ER40X9.5	NEW ●	40	9.5	41	46	9.5 ÷ 8.5
PZER ER40X10	●	40	10	41	46	10 ÷ 9
PZER ER40X10.5	NEW ●	40	10.5	41	46	10.5 ÷ 9.5
PZER ER40X11	●	40	11	41	46	11 ÷ 10
PZER ER40X11.5	NEW ●	40	11.5	41	46	11.5 ÷ 10.5
PZER ER40X12	●	40	12	41	46	12 ÷ 11
PZER ER40X12.5	NEW ●	40	12.5	41	46	12.5 ÷ 11.5
PZER ER40X13	●	40	13	41	46	13 ÷ 12
PZER ER40X13.5	NEW ●	40	13.5	41	46	13.5 ÷ 12.5
PZER ER40X14	●	40	14	41	46	14 ÷ 13
PZER ER40X14.5	NEW ●	40	14.5	41	46	14.5 ÷ 13.5
PZER ER40X15	●	40	15	41	46	15 ÷ 14
PZER ER40X15.5	NEW ●	40	15.5	41	46	15.5 - 14.5
PZER ER40X16	●	40	16	41	46	16 ÷ 15

La gamma prosegue nella pagina successiva | The range continues on the next page >>

>> PZER PINZE ER DIN 6499 (STANDARD) | ER COLLETS DIN 6499 (STANDARD)







Codice d'ordine Order Code	STATUS	ER	d	D ₁	l ₁	Gamma di serraggio Clamping Range
PZER ER 40						
PZER ER40X16.5	NEW ●	40	16.5	41	46	16.5 ÷ 15.5
PZER ER40X17	●	40	17	41	46	17 ÷ 16
PZER ER40X17.5	NEW ●	40	17.5	41	46	17.5 ÷ 16.5
PZER ER40X18	●	40	18	41	46	18 ÷ 17
PZER ER40X18.5	NEW ●	40	18.5	41	46	18.5 ÷ 17.5
PZER ER40X19	●	40	19	41	46	19 ÷ 18
PZER ER40X19.5	NEW ●	40	19.5	41	46	19.5 ÷ 18.5
PZER ER40X20	●	40	20	41	46	20 ÷ 19
PZER ER40X20.5	NEW ●	40	20.5	41	46	20.5 ÷ 19.5
PZER ER40X21	●	40	21	41	46	21 ÷ 20
PZER ER40X21.5	NEW ●	40	21.5	41	46	21.5 ÷ 20.5
PZER ER40X22	●	40	22	41	46	22 ÷ 21
PZER ER40X22.5	NEW ●	40	22.5	41	46	22.5 ÷ 21.5
PZER ER40X23	●	40	23	41	46	23 ÷ 22
PZER ER40X23.5	NEW ●	40	23.5	41	46	23.5 ÷ 22.5
PZER ER40X24	●	40	24	41	46	24 ÷ 23
PZER ER40X24.5	NEW ●	40	24.5	41	46	24.5 ÷ 23.5
PZER ER40X25	●	40	25	41	46	25 ÷ 24
PZER ER40X25.5	NEW ●	40	25.5	41	46	25.5 ÷ 24.5
PZER ER40X26	●	40	26	41	46	26 ÷ 25
PZER ER40X27	●	40	27	41	46	27 ÷ 26
PZER ER40X28	●	40	28	41	46	28 ÷ 27
PZER ER40X29	●	40	29	41	46	29 ÷ 28
PZER ER40X30	●	40	30	41	46	30 ÷ 29
PZER ER 50						
PZER ER50X6	●	50	6	52	60	6 ÷ 5
PZER ER50X7	NEW ●	50	7	52	60	7 ÷ 6
PZER ER50X8	●	50	8	52	60	8 ÷ 7
PZER ER50X9	NEW ●	50	9	52	60	9 ÷ 8
PZER ER50X10	●	50	10	52	60	10 ÷ 9
PZER ER50X11	NEW ●	50	11	52	60	11 ÷ 10
PZER ER50X12	●	50	12	52	60	12 ÷ 10
PZER ER50X13	NEW ●	50	13	52	60	13 ÷ 11
PZER ER50X14	●	50	14	52	60	14 ÷ 12
PZER ER50X15	NEW ●	50	15	52	60	15 ÷ 13
PZER ER50X16	●	50	16	52	60	16 ÷ 14
PZER ER50X17	NEW ●	50	17	52	60	17 ÷ 15
PZER ER50X18	●	50	18	52	60	18 ÷ 16
PZER ER50X19	NEW ●	50	19	52	60	19 ÷ 17

La gamma prosegue nella pagina successiva | The range continues on the next page >>

>> **PZER** PINZE ER DIN 6499 (STANDARD) | ER COLLETS DIN 6499 (STANDARD)

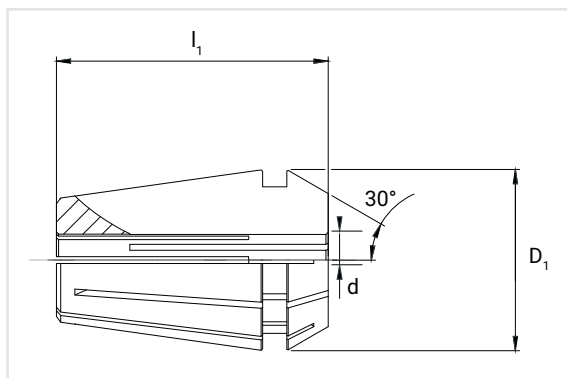
Codice d'ordine Order Code	STATUS	ER	d	D ₁	l ₁	Gamma di serraggio Clamping Range
PZER ER 50						
PZER ER50X20	●	50	20	52	60	20 ÷ 18
PZER ER50X21	NEW ●	50	21	52	60	21 ÷ 19
PZER ER50X22	●	50	22	52	60	22 ÷ 20
PZER ER50X23	NEW ●	50	23	52	60	23 ÷ 21
PZER ER50X24	●	50	24	52	60	24 ÷ 22
PZER ER50X25	NEW ●	50	25	52	60	25 ÷ 23
PZER ER50X26	●	50	26	52	60	26 ÷ 24
PZER ER50X27	NEW ●	50	27	52	60	27 ÷ 25
PZER ER50X28	●	50	28	52	60	28 ÷ 26
PZER ER50X29	NEW ●	50	29	52	60	29 ÷ 27
PZER ER50X30	●	50	30	52	60	30 ÷ 28
PZER ER50X31	NEW ●	50	31	52	60	31 ÷ 29
PZER ER50X32	●	50	32	52	60	32 ÷ 30
PZER ER50X33	NEW ●	50	33	52	60	33 ÷ 31
PZER ER50X34	●	50	34	52	60	34 ÷ 32

Portautensili abbinabili | Compatible Toolholders

	Codice Code	Pagina Page	
01 SK-DIN 69871			
SK 30 - 40 - 50	ISOER..	p. 033	
SK 40 - 50	ISOERM..	p. 036	
02 MAS 403-BT			
SK 30 - 40 - 50	BTER..	p. 083	
SK 30 - 40 - 50	BTERM..	p. 086	
03 HSK DIN 69893			
SK 40A - 50A - 63A - 100A	HSKER..	p. 131	
SK 63A - 100A	HSKERM..	p. 134	
04 POLIGONALE ISO 26623-1			
C 40 - 50 - 63 - 80	PLGER..	p. 160	
05 DIN 2080			
SK 30 - 40 - 50	2080ER..	p. 174	

ERUP

PINZE ER DIN 6499 (ULTRA PRECISE) ER COLLETS DIN 6499 (HIGH PRECISION)



Run Out: Max. 5 µm



Codice d'ordine Order Code	STATUS	ER	d	D ₁	l ₁	Gamma di serraggio Clamping Range
ERUP ER 11						
ERUP ER11X1	●	11	1	11.5	18	1 ÷ 0.5
ERUP ER11X1.5	NEW ●	11	1.5	11.5	18	1.5 ÷ 1
ERUP ER11X2	●	11	2	11.5	18	2 ÷ 1.5
ERUP ER11X2.5	NEW ●	11	2.5	11.5	18	2.5 ÷ 2
ERUP ER11X3	●	11	3	11.5	18	3 ÷ 2.5
ERUP ER11X3.5	NEW ●	11	3.5	11.5	18	3.5 ÷ 3
ERUP ER11X4	●	11	4	11.5	18	4 ÷ 3.5
ERUP ER11X4.5	NEW ●	11	4.5	11.5	18	4.5 ÷ 4
ERUP ER11X5	●	11	5	11.5	18	5 ÷ 4.5
ERUP ER11X5.5	NEW ●	11	5.5	11.5	18	5.5 ÷ 5
ERUP ER11X6	●	11	6	11.5	18	6 ÷ 5.5
ERUP ER11X6.5	NEW ●	11	6.5	11.5	18	6.5 ÷ 6
ERUP ER11X7	●	11	7	11.5	18	7 ÷ 6.5
ERUP ER 16						
ERUP ER16X1	●	16	1	17	27.5	1 ÷ 0.5
ERUP ER16X1.5	NEW ●	16	1.5	17	27.5	1.5 ÷ 1
ERUP ER16X2	●	16	2	17	27.5	2 ÷ 1
ERUP ER16X2.5	NEW ●	16	2.5	17	27.5	2.5 ÷ 2

La gamma prosegue nella pagina successiva | The range continues on the next page >>

>> **ERUP** PINZE ER DIN 6499 (ULTRA PRECISE) | ER COLLETS DIN 6499 (HIGH PRECISION)

Codice d'ordine Order Code	STATUS	ER	d	D ₁	l ₁	Gamma di serraggio Clamping Range
ERUP ER 16						
ERUP ER16X3	●	16	3	17	27.5	3 ÷ 2
ERUP ER16X3.5	NEW ●	16	3.5	17	27.5	3.5 ÷ 2.5
ERUP ER16X4	●	16	4	17	27.5	4 ÷ 3
ERUP ER16X4.5	NEW ●	16	4.5	17	27.5	4.5 ÷ 3.5
ERUP ER16X5	●	16	5	17	27.5	5 ÷ 4
ERUP ER16X5.5	NEW ●	16	5.5	17	27.5	5.5 ÷ 4.5
ERUP ER16X6	●	16	6	17	27.5	6 ÷ 5
ERUP ER16X6.5	NEW ●	16	6.5	17	27.5	6.5 ÷ 5.5
ERUP ER16X7	●	16	7	17	27.5	7 ÷ 6
ERUP ER16X7.5	NEW ●	16	7.5	17	27.5	7.5 ÷ 6.5
ERUP ER16X8	●	16	8	17	27.5	8 ÷ 7
ERUP ER16X8.5	NEW ●	16	8.5	17	27.5	8.5 ÷ 7.5
ERUP ER16X9	●	16	9	17	27.5	9 ÷ 8
ERUP ER16X9.5	NEW ●	16	9.5	17	27.5	9.5 ÷ 8.5
ERUP ER16X10	●	16	10	17	27.5	10 ÷ 9
ERUP ER 20						
ERUP ER20X1	NEW ●	20	1	21	31.5	1 ÷ 0.5
ERUP ER20X1.5	NEW ●	20	1.5	21	31.5	1.5 ÷ 1
ERUP ER20X2	NEW ●	20	2	21	31.5	2 ÷ 1.5
ERUP ER20X2.5	NEW ●	20	2.5	21	31.5	2.5 ÷ 2
ERUP ER20X3	NEW ●	20	3	21	31.5	3 ÷ 2
ERUP ER20X3.5	NEW ●	20	3.5	21	31.5	3.5 ÷ 2.5
ERUP ER20X4	NEW ●	20	4	21	31.5	4 ÷ 3
ERUP ER20X4.5	NEW ●	20	4.5	21	31.5	4.5 ÷ 3.5
ERUP ER20X5	NEW ●	20	5	21	31.5	5 ÷ 4
ERUP ER20X5.5	NEW ●	20	5.5	21	31.5	5.5 ÷ 4.5
ERUP ER20X6	NEW ●	20	6	21	31.5	6 ÷ 5
ERUP ER20X6.5	NEW ●	20	6.5	21	31.5	6.5 ÷ 5.5
ERUP ER20X7	NEW ●	20	7	21	31.5	7 ÷ 6
ERUP ER20X7.5	NEW ●	20	7.5	21	31.5	7.5 ÷ 6.5
ERUP ER20X8	NEW ●	20	8	21	31.5	8 ÷ 7
ERUP ER20X8.5	NEW ●	20	8.5	21	31.5	8.5 ÷ 7.5
ERUP ER20X9	NEW ●	20	9	21	31.5	9 ÷ 8
ERUP ER20X9.5	NEW ●	20	9.5	21	31.5	9.5 ÷ 8.5
ERUP ER20X10	NEW ●	20	10	21	31.5	10 ÷ 9
ERUP ER20X10.5	NEW ●	20	10.5	21	31.5	10.5 ÷ 9.5
ERUP ER20X11	NEW ●	20	11	21	31.5	11 ÷ 10
ERUP ER20X11.5	NEW ●	20	11.5	21	31.5	11.5 ÷ 10.5
ERUP ER20X12	NEW ●	20	12	21	31.5	12 ÷ 11

La gamma prosegue nella pagina successiva | The range continues on the next page >>

>> ERUP PINZE ER DIN 6499 (ULTRA PRECISE) | ER COLLETS DIN 6499 (HIGH PRECISION)

Codice d'ordine Order Code	STATUS	ER	d	D ₁	l ₁	Gamma di serraggio Clamping Range
ERUP ER 20						
ERUP ER20X12.5	NEW ●	20	12.5	21	31.5	12.5 ÷ 11.5
ERUP ER20X13	NEW ●	20	13	21	31.5	13 ÷ 12
ERUP ER 25						
ERUP ER25X1	●	25	1	26	34	1 ÷ 0.5
ERUP ER25X1.5	NEW ●	25	1.5	26	34	1.5 ÷ 1
ERUP ER25X2	●	25	2	26	34	2 ÷ 1.5
ERUP ER25X2.5	NEW ●	25	2.5	26	34	2.5 ÷ 2
ERUP ER25X3	●	25	3	26	34	3 ÷ 2
ERUP ER25X3.5	NEW ●	25	3.5	26	34	3.5 ÷ 2.5
ERUP ER25X4	●	25	4	26	34	4 ÷ 3
ERUP ER25X4.5	NEW ●	25	4.5	26	34	4.5 ÷ 3.5
ERUP ER25X5	●	25	5	26	34	5 ÷ 4
ERUP ER25X5.5	NEW ●	25	5.5	26	34	5.5 ÷ 4.5
ERUP ER25X6	●	25	6	26	34	6 ÷ 5
ERUP ER25X6.5	NEW ●	25	6.5	26	34	6.5 ÷ 5.5
ERUP ER25X7	●	25	7	26	34	7 ÷ 6
ERUP ER25X7.5	NEW ●	25	7.5	26	34	7.5 ÷ 6.5
ERUP ER25X8	●	25	8	26	34	8 ÷ 7
ERUP ER25X8.5	NEW ●	25	8.5	26	34	8.5 ÷ 7.5
ERUP ER25X9	●	25	9	26	34	9 ÷ 8
ERUP ER25X9.5	NEW ●	25	9.5	26	34	9.5 ÷ 8.5
ERUP ER25X10	●	25	10	26	34	10 ÷ 9
ERUP ER25X10.5	NEW ●	25	10.5	26	34	10.5 ÷ 9.5
ERUP ER25X11	●	25	11	26	34	11 ÷ 10
ERUP ER25X11.5	NEW ●	25	11.5	26	34	11.5 ÷ 10.5
ERUP ER25X12	●	25	12	26	34	12 ÷ 11
ERUP ER25X12.5	NEW ●	25	12.5	26	34	12.5 ÷ 11.5
ERUP ER25X13	●	25	13	26	34	13 ÷ 12
ERUP ER25X13.5	NEW ●	25	13.5	26	34	13.5 ÷ 12.5
ERUP ER25X14	●	25	14	26	34	14 ÷ 13
ERUP ER25X14.5	NEW ●	25	14.5	26	34	14.5 ÷ 13.5
ERUP ER25X15	●	25	15	26	34	15 ÷ 14
ERUP ER25X15.5	NEW ●	25	15.5	26	34	15.5 ÷ 14.5
ERUP ER25X16	●	25	16	26	34	16 ÷ 15
ERUP ER 32						
ERUP ER32X2	●	32	2	33	40	2 ÷ 1.5
ERUP ER32X2.5	NEW ●	32	2.5	33	40	2.5 ÷ 2
ERUP ER32X3	●	32	3	33	40	3 ÷ 2

La gamma prosegue nella pagina successiva | The range continues on the next page >>

>> **ERUP** PINZE ER DIN 6499 (ULTRA PRECISE) | ER COLLETS DIN 6499 (HIGH PRECISION)

Codice d'ordine Order Code	STATUS	ER	d	D ₁	l ₁	Gamma di serraggio Clamping Range
ERUP ER 32						
ERUP ER32X3.5	NEW ●	32	3.5	33	40	3.5 ÷ 2.5
ERUP ER32X4	●	32	4	33	40	4 ÷ 3
ERUP ER32X4.5	NEW ●	32	4.5	33	40	4.5 ÷ 3.5
ERUP ER32X5	●	32	5	33	40	5 ÷ 4
ERUP ER32X5.5	NEW ●	32	5.5	33	40	5.5 ÷ 4.5
ERUP ER32X6	●	32	6	33	40	6 ÷ 5
ERUP ER32X6.5	NEW ●	32	6.5	33	40	6.5 ÷ 5.5
ERUP ER32X7	●	32	7	33	40	7 ÷ 6
ERUP ER32X7.5	NEW ●	32	7.5	33	40	7.5 ÷ 6.5
ERUP ER32X8	●	32	8	33	40	8 ÷ 7
ERUP ER32X8.5	NEW ●	32	8.5	33	40	8.5 ÷ 7.5
ERUP ER32X9	●	32	9	33	40	9 ÷ 8
ERUP ER32X9.5	NEW ●	32	9.5	33	40	9.5 ÷ 8.5
ERUP ER32X10	●	32	10	33	40	10 ÷ 9
ERUP ER32X10.5	NEW ●	32	10.5	33	40	10.5 ÷ 9.5
ERUP ER32X11	●	32	11	33	40	11 ÷ 10
ERUP ER32X11.5	NEW ●	32	11.5	33	40	11.5 ÷ 10.5
ERUP ER32X12	●	32	12	33	40	12 ÷ 11
ERUP ER32X12.5	NEW ●	32	12.5	33	40	12.5 ÷ 11.5
ERUP ER32X13	●	32	13	33	40	13 ÷ 12
ERUP ER32X13.5	NEW ●	32	13.5	33	40	13.5 ÷ 12.5
ERUP ER32X14	●	32	14	33	40	14 ÷ 13
ERUP ER32X14.5	NEW ●	32	14.5	33	40	14.5 ÷ 13.5
ERUP ER32X15	●	32	15	33	40	15 ÷ 14
ERUP ER32X15.5	NEW ●	32	15.5	33	40	15.5 ÷ 14.5
ERUP ER32X16	●	32	16	33	40	16 ÷ 15
ERUP ER32X16.5	NEW ●	32	16.5	33	40	16.5 ÷ 15.5
ERUP ER32X17	●	32	17	33	40	17 ÷ 16
ERUP ER32X17.5	NEW ●	32	17.5	33	40	17.5 ÷ 16.5
ERUP ER32X18	●	32	18	33	40	18 ÷ 17
ERUP ER32X18.5	NEW ●	32	18.5	33	40	18.5 ÷ 17.5
ERUP ER32X19	●	32	19	33	40	19 ÷ 18
ERUP ER32X19.5	NEW ●	32	19.5	33	40	19.5 ÷ 18.5
ERUP ER32X20	●	32	20	33	40	20 ÷ 19
ERUP ER 40						
ERUP ER40X3	●	40	3	41	46	3 ÷ 2
ERUP ER40X3.5	NEW ●	40	3.5	41	46	3.5 ÷ 2.5
ERUP ER40X4	●	40	4	41	46	4 ÷ 3
ERUP ER40X4.5	NEW ●	40	4.5	41	46	4.5 ÷ 3.5

La gamma prosegue nella pagina successiva | The range continues on the next page >>

>> **ERUP** PINZE ER DIN 6499 (ULTRA PRECISE) | ER COLLETS DIN 6499 (HIGH PRECISION)






Codice d'ordine Order Code	STATUS	ER	d	D ₁	l ₁	Gamma di serraggio Clamping Range
ERUP ER 40						
ERUP ER40X5	●	40	5	41	46	5 ÷ 4
ERUP ER40X5.5	NEW ●	40	5.5	41	46	5.5 ÷ 4.5
ERUP ER40X6	●	40	6	41	46	6 ÷ 5
ERUP ER40X6.5	NEW ●	40	6.5	41	46	6.5 ÷ 5.5
ERUP ER40X7	●	40	7	41	46	7 ÷ 6
ERUP ER40X7.5	NEW ●	40	7.5	41	46	7.5 ÷ 6.5
ERUP ER40X8	●	40	8	41	46	8 ÷ 7
ERUP ER40X8.5	NEW ●	40	8.5	41	46	8.5 ÷ 7.5
ERUP ER40X9	●	40	9	41	46	9 ÷ 8
ERUP ER40X9.5	NEW ●	40	9.5	41	46	9.5 ÷ 8.5
ERUP ER40X10	●	40	10	41	46	10 ÷ 9
ERUP ER40X10.5	NEW ●	40	10.5	41	46	10.5 ÷ 9.5
ERUP ER40X11	●	40	11	41	46	11 ÷ 10
ERUP ER40X11.5	NEW ●	40	11.5	41	46	11.5 ÷ 10.5
ERUP ER40X12	●	40	12	41	46	12 ÷ 11
ERUP ER40X12.5	NEW ●	40	12.5	41	46	12.5 ÷ 11.5
ERUP ER40X13	●	40	13	41	46	13 ÷ 12
ERUP ER40X13.5	NEW ●	40	13.5	41	46	13.5 ÷ 12.5
ERUP ER40X14	●	40	14	41	46	14 ÷ 13
ERUP ER40X14.5	NEW ●	40	14.5	41	46	14.5 ÷ 13.5
ERUP ER40X15	●	40	15	41	46	15 ÷ 14
ERUP ER40X15.5	NEW ●	40	15.5	41	46	15.5 ÷ 14.5
ERUP ER40X16	●	40	16	41	46	16 ÷ 15
ERUP ER40X16.5	NEW ●	40	16.5	41	46	16.5 ÷ 15.5
ERUP ER40X17	●	40	17	41	46	17 ÷ 16
ERUP ER40X17.5	NEW ●	40	17.5	41	46	17.5 ÷ 16.5
ERUP ER40X18	●	40	18	41	46	18 ÷ 17
ERUP ER40X18.5	NEW ●	40	18.5	41	46	18.5 ÷ 17.5
ERUP ER40X19	●	40	19	41	46	19 ÷ 18
ERUP ER40X19.5	NEW ●	40	19.5	41	46	19.5 ÷ 18.5
ERUP ER40X20	●	40	20	41	46	20 ÷ 19
ERUP ER40X20.5	NEW ●	40	20.5	41	46	20.5 ÷ 19.5
ERUP ER40X21	●	40	21	41	46	21 ÷ 20
ERUP ER40X21.5	NEW ●	40	21.5	41	46	21.5 ÷ 20.5
ERUP ER40X22	●	40	22	41	46	22 ÷ 21
ERUP ER40X22.5	NEW ●	40	22.5	41	46	22.5 ÷ 21.5
ERUP ER40X23	●	40	23	41	46	23 ÷ 22
ERUP ER40X23.5	NEW ●	40	23.5	41	46	23.5 ÷ 22.5
ERUP ER40X24	●	40	24	41	46	24 ÷ 23
ERUP ER40X24.5	NEW ●	40	24.5	41	46	24.5 ÷ 23.5

La gamma prosegue nella pagina successiva | The range continues on the next page >>

>> **ERUP** PINZE ER DIN 6499 (ULTRA PRECISE) | ER COLLETS DIN 6499 (HIGH PRECISION)

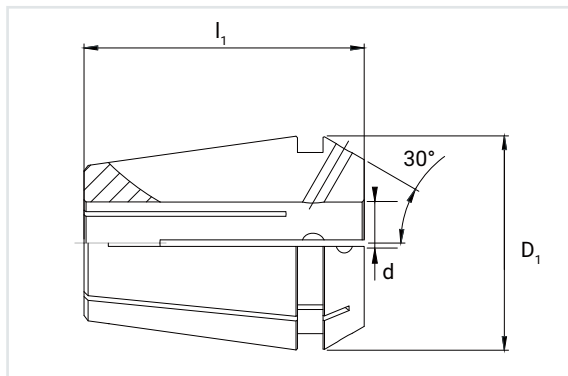
Codice d'ordine Order Code	STATUS	ER	d	D ₁	l ₁	Gamma di serraggio Clamping Range
ERUP ER 40						
ERUP ER40X25	●	40	25	41	46	25 ÷ 24
ERUP ER40X25.5	NEW ●	40	25.5	41	46	25.5 ÷ 24.5
ERUP ER40X26	●	40	26	41	46	26 ÷ 25

Portautensili abbinabili | Compatible Toolholders

	Codice Code	Pagina Page	
01 SK-DIN 69871			 01
SK 30 - 40 - 50	ISOER..	p. 033	 02
SK 40 - 50	ISOERM..	p. 036	
02 MAS 403-BT			 03
SK 30 - 40 - 50	BTER..	p. 083	
SK 30 - 40 - 50	BTERM..	p. 086	
03 HSK DIN 69893			 04
SK 40A - 50A - 63A - 100A	HSKER..	p. 131	
SK 63A - 100A	HSKERM..	p. 134	
04 POLIGONALE ISO 26623-1			 05
C 40 - 50 - 63 - 80	PLGER..	p. 160	
05 DIN 2080			
SK 30 - 40 - 50	2080ER..	p. 174	

ERVU

PINZE ER DIN 6499 (VULCANIZZATE) ER COLLETS DIN 6499 (RUBBER SEALED COLLETS)



Run Out: Max. 8 µm



Codice d'ordine
Order Code

STATUS

ERVU ER 11

ERVU ER11X3.5	NEW ●
ERVU ER11X4.5	NEW ●
ERVU ER11X5.5	NEW ●
ERVU ER11X6.5	NEW ●

ERVU ER 16

ERVU ER16X3	●
ERVU ER16X4	●
ERVU ER16X5	●
ERVU ER16X6	●
ERVU ER16X7	●
ERVU ER16X8	●
ERVU ER16X9	●
ERVU ER16X10	●

ERVU ER 20

ERVU ER20X3	NEW ●
ERVU ER20X4	NEW ●
ERVU ER20X5	NEW ●

ER	d	D ₁	l ₁
11	3.5	11.5	18
11	4.5	11.5	18
11	5.5	11.5	18
11	6.5	11.5	18
16	3	17	27.5
16	4	17	27.5
16	5	17	27.5
16	6	17	27.5
16	7	17	27.5
16	8	17	27.5
16	9	17	27.5
16	10	17	27.5
20	3	21	31.5
20	4	21	31.5
20	5	21	31.5

La gamma prosegue nella pagina successiva | The range continues on the next page >>

>> **ERVU** PINZE ER DIN 6499 (VULCANIZZATE) | ER COLLETS DIN 6499 (RUBBER SEALED COLLETS)

Codice d'ordine Order Code	STATUS	ER	d	D ₁	l ₁
ERVU ER 20					
ERVU ER20X6	NEW ●	20	6	21	31.5
ERVU ER20X7	NEW ●	20	7	21	31.5
ERVU ER20X8	NEW ●	20	8	21	31.5
ERVU ER20X9	NEW ●	20	9	21	31.5
ERVU ER20X10	NEW ●	20	10	21	31.5
ERVU ER20X11	NEW ●	20	11	21	31.5
ERVU ER20X12	NEW ●	20	12	21	31.5
ERVU ER20X13	NEW ●	20	13	21	31.5
ERVU ER 25					
ERVU ER25X3	●	25	3	26	34
ERVU ER25X4	●	25	4	26	34
ERVU ER25X5	●	25	5	26	34
ERVU ER25X6	●	25	6	26	34
ERVU ER25X7	●	25	7	26	34
ERVU ER25X8	●	25	8	26	34
ERVU ER25X9	●	25	9	26	34
ERVU ER25X10	●	25	10	26	34
ERVU ER25X11	●	25	11	26	34
ERVU ER25X12	●	25	12	26	34
ERVU ER25X13	●	25	13	26	34
ERVU ER25X14	●	25	14	26	34
ERVU ER25X15	●	25	15	26	34
ERVU ER25X16	●	25	16	26	34
ERVU ER 32					
ERVU ER32X3	●	32	3	33	40
ERVU ER32X4	●	32	4	33	40
ERVU ER32X5	●	32	5	33	40
ERVU ER32X6	●	32	6	33	40
ERVU ER32X7	●	32	7	33	40
ERVU ER32X8	●	32	8	33	40
ERVU ER32X9	●	32	9	33	40
ERVU ER32X10	●	32	10	33	40
ERVU ER32X11	●	32	11	33	40
ERVU ER32X12	●	32	12	33	40
ERVU ER32X13	●	32	13	33	40
ERVU ER32X14	●	32	14	33	40
ERVU ER32X15	●	32	15	33	40
ERVU ER32X16	●	32	16	33	40

La gamma prosegue nella pagina successiva | The range continues on the next page >>






>> **ERVU** PINZE ER DIN 6499 (VULCANIZZATE) | ER COLLETS DIN 6499 (RUBBER SEALED COLLETS)

Codice d'ordine Order Code	STATUS	ER	d	D ₁	l ₁
ERVU ER 32					
ERVU ER32X17	●	32	17	33	40
ERVU ER32X18	●	32	18	33	40
ERVU ER32X19	●	32	19	33	40
ERVU ER32X20	●	32	20	33	40
ERVU ER 40					
ERVU ER40X3	NEW ●	40	3	41	46
ERVU ER40X4	NEW ●	40	4	41	46
ERVU ER40X5	●	40	5	41	46
ERVU ER40X6	●	40	6	41	46
ERVU ER40X7	●	40	7	41	46
ERVU ER40X8	●	40	8	41	46
ERVU ER40X9	●	40	9	41	46
ERVU ER40X10	●	40	10	41	46
ERVU ER40X11	●	40	11	41	46
ERVU ER40X12	●	40	12	41	46
ERVU ER40X13	●	40	13	41	46
ERVU ER40X14	●	40	14	41	46
ERVU ER40X15	●	40	15	41	46
ERVU ER40X16	●	40	16	41	46
ERVU ER40X17	●	40	17	41	46
ERVU ER40X18	●	40	18	41	46
ERVU ER40X19	●	40	19	41	46
ERVU ER40X20	●	40	20	41	46
ERVU ER40X21	●	40	21	41	46
ERVU ER40X22	●	40	22	41	46
ERVU ER40X23	●	40	23	41	46
ERVU ER40X24	●	40	24	41	46
ERVU ER40X25	●	40	25	41	46
ERVU ER40X26	●	40	26	41	46

Portautensili abbinabili alla pagina successiva | Compatible Toolholders on the next page >>

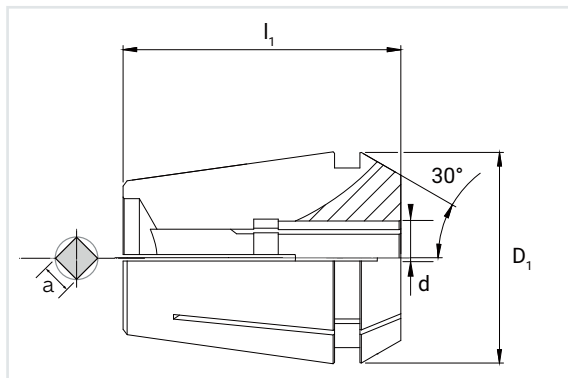
>> **ERVU** PINZE ER DIN 6499 (VULCANIZZATE) | ER COLLETS DIN 6499 (RUBBER SEALED COLLETS)

Portautensili abbinabili | Compatible Toolholders

	Codice Code	Pagina Page	
01 SK-DIN 69871			 01
SK 30 - 40 - 50	ISOER..	p. 033	 02
SK 40 - 50	ISOERM..	p. 036	
02 MAS 403-BT			 03
SK 30 - 40 - 50	BTER..	p. 083	
SK 30 - 40 - 50	BTERM..	p. 086	 04
03 HSK DIN 69893			
SK 40A - 50A - 63A - 100A	HSKER..	p. 131	 05
SK 63A - 100A	HSKERM..	p. 134	
04 POLIGONALE ISO 26623-1			
C 40 - 50 - 63 - 80	PLGER..	p. 160	
05 DIN 2080			
SK 30 - 40 - 50	2080ER..	p. 174	

PZSQ

PINZE ER DIN 6499 (CON QUADRO INTERNO) ER COLLETS DIN 6499 (WITH INTERNAL SQUARE)



Run Out: Max. 15 µm



Ordine d'ordine
Order Code STATUS

PZSQ ER 16

Order Code	STATUS
PZSQ ER16X3.5	●
PZSQ ER16X4	●
PZSQ ER16X4.5	●
PZSQ ER16X5	NEW ●
PZSQ ER16X5.5	NEW ●
PZSQ ER16X6	●
PZSQ ER16X6.3	NEW ●
PZSQ ER16X7	●
PZSQ ER16X8	●
PZSQ ER16X9	●

PZSQ ER 20

PZSQ ER20X3.5	NEW ●
PZSQ ER20X4	NEW ●
PZSQ ER20X4.5	NEW ●
PZSQ ER20X5	NEW ●
PZSQ ER20X5.5	NEW ●
PZSQ ER20X6	NEW ●
PZSQ ER20X6.3	NEW ●

ER	d	D ₁	l ₁	a
16	3.5	11.5	27.5	2.7
16	4	11.5	27.5	3
16	4.5	11.5	27.5	3.4
16	5	11.5	27.5	4
16	5.5	11.5	27.5	4.3
16	6	11.5	27.5	4.9
16	6.3	11.5	27.5	5
16	7	11.5	27.5	5.5
16	8	11.5	27.5	6.2
16	9	11.5	27.5	7
20	3.5	21	31.5	2.7
20	4	21	31.5	3
20	4.5	21	31.5	3.4
20	5	21	31.5	4
20	5.5	21	31.5	4.3
20	6	21	31.5	4.9
20	6.3	21	31.5	5

La gamma prosegue nella pagina successiva | The range continues on the next page >>

>> **PZSQ** PINZE ER DIN 6499 (CON QUADRO INTERNO) | ER COLLETS DIN 6499 (WITH INTERNAL SQUARE)







Codice d'ordine Order Code	STATUS	ER	d	D ₁	l ₁	a
PZSQ ER 20						
PZSQ ER20X7	NEW ●	20	7	21	31.5	5.5
PZSQ ER20X8	NEW ●	20	8	21	31.5	6.2
PZSQ ER20X9	NEW ●	20	9	21	31.5	7
PZSQ ER20X10	NEW ●	20	10	21	31.5	8
PZSQ ER 25						
PZSQ ER25X3.5	●	25	3.5	26	34	2.7
PZSQ ER25X4	●	25	4	26	34	3
PZSQ ER25X4.5	●	25	4.5	26	34	3.4
PZSQ ER25X5	NEW ●	25	5	26	34	4
PZSQ ER25X5.5	NEW ●	25	5.5	26	34	4.3
PZSQ ER25X6	●	25	6	26	34	4.9
PZSQ ER25X6.3	NEW ●	25	6.3	26	34	5
PZSQ ER25X7	●	25	7	26	34	5.5
PZSQ ER25X8	●	25	8	26	34	6.2
PZSQ ER25X9	●	25	9	26	34	7
PZSQ ER25X10	●	25	10	26	34	8
PZSQ ER25X11	●	25	11	26	34	9
PZSQ ER25X11.2	NEW ●	25	11.2	26	34	9
PZSQ ER25X12	●	25	12	26	34	9
PZSQ ER25X14	●	25	14	26	34	11
PZSQ ER25X16	●	25	16	26	34	12
PZSQ ER 32						
PZSQ ER32X3.5	●	32	3.5	33	40	2.7
PZSQ ER32X4	●	32	4	33	40	3
PZSQ ER32X4.5	●	32	4.5	33	40	3.4
PZSQ ER32X5	NEW ●	32	5	33	40	4
PZSQ ER32X5.5	NEW ●	32	5.5	33	40	4.3
PZSQ ER32X6	●	32	6	33	40	4.9
PZSQ ER32X6.3	NEW ●	32	6.3	33	40	5
PZSQ ER32X7	●	32	7	33	40	5.5
PZSQ ER32X8	●	32	8	33	40	6.2
PZSQ ER32X9	●	32	9	33	40	7
PZSQ ER32X10	●	32	10	33	40	8
PZSQ ER32X11	●	32	11	33	40	9
PZSQ ER32X11.2	NEW ●	32	11.2	33	40	9
PZSQ ER32X12	●	32	12	33	40	9
PZSQ ER32X12.5	NEW ●	32	12.5	33	40	10
PZSQ ER32X14	●	32	14	33	40	11

La gamma prosegue nella pagina successiva | The range continues on the next page >>

>> PZSQ PINZE ER DIN 6499 (CON QUADRO INTERNO) | ER COLLETS DIN 6499 (WITH INTERNAL SQUARE)

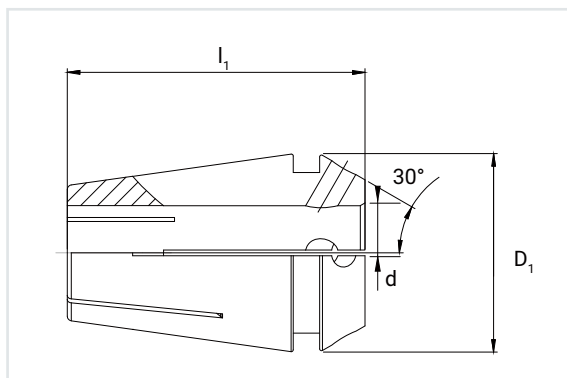
Codice d'ordine Order Code	STATUS	ER	d	D ₁	l ₁	a
PZSQ ER 32						
PZSQ ER32X16	●	32	16	33	40	12
PZSQ ER32X18	●	32	18	33	40	14.5
PZSQ ER 40						
PZSQ ER40X6	●	40	6	41	46	4.9
PZSQ ER40X7	●	40	7	41	46	5.5
PZSQ ER40X8	●	40	8	41	46	6.2
PZSQ ER40X9	●	40	9	41	46	7
PZSQ ER40X10	●	40	10	41	46	8
PZSQ ER40X11	●	40	11	41	46	9
PZSQ ER40X12	●	40	12	41	46	9
PZSQ ER40X14	●	40	14	41	46	11
PZSQ ER40X16	●	40	16	41	46	12
PZSQ ER40X18	●	40	18	41	46	14.5
PZSQ ER40X20	●	40	20	41	46	16
PZSQ ER40X22	●	40	22	41	46	18

Portautensili abbinabili | Compatible Toolholders

	Codice Code	Pagina Page	
01 SK-DIN 69871			
SK 30 - 40 - 50	ISOER..	p. 033	
SK 40 - 50	ISOERM..	p. 036	
02 MAS 403-BT			
SK 30 - 40 - 50	BTER..	p. 083	
SK 30 - 40 - 50	BTERM..	p. 086	
03 HSK DIN 69893			
SK 40A - 50A - 63A - 100A	HSKER..	p. 131	
SK 63A - 100A	HSKERM..	p. 134	
04 POLIGONALE ISO 26623-1			
C 40 - 50 - 63 - 80	PLGER..	p. 160	
05 DIN 2080			
SK 30 - 40 - 50	2080ER..	p. 174	

PZERJ

PINZE ER DIN 6499 (A TENUTA CON FORI DI LUBRIFICAZIONE) ER COLLETS DIN 6499 (EXTERNALLY COOLED COLLETS)



Run Out: Max. 8 µm



Codice d'ordine
Order Code

STATUS

PZERJ ER 16

Codice d'ordine	STATUS
PZERJ ER16X3	NEW ●
PZERJ ER16X4	NEW ●
PZERJ ER16X5	NEW ●
PZERJ ER16X6	NEW ●
PZERJ ER16X7	NEW ●

PZERJ ER 20

PZERJ ER20X4	NEW ●
PZERJ ER20X5	NEW ●
PZERJ ER20X6	NEW ●
PZERJ ER20X7	NEW ●
PZERJ ER20X8	NEW ●
PZERJ ER20X9	NEW ●
PZERJ ER20X10	NEW ●

PZERJ ER 25

PZERJ ER25X3	NEW ●
PZERJ ER25X4	NEW ●
PZERJ ER25X5	NEW ●

ER	d	D ₁	l ₁
16	3	17	27.5
16	4	17	27.5
16	5	17	27.5
16	6	17	27.5
16	7	17	27.5
20	4	21	31.5
20	5	21	31.5
20	6	21	31.5
20	7	21	31.5
20	8	21	31.5
20	9	21	31.5
20	10	21	31.5
25	3	26	34
25	4	26	34
25	5	26	34

La gamma prosegue nella pagina successiva | The range continues on the next page >>

>> **PZERJ** PINZE ER (A TENUTA CON FORI DI LUBRIFICAZIONE) | ER COLLETS (EXTERNALLY COOLED COLLETS)






Codice d'ordine Order Code	STATUS	ER	d	D ₁	l ₁
PZERJ ER 25					
PZERJ ER25X6	NEW ●	25	6	26	34
PZERJ ER25X7	NEW ●	25	7	26	34
PZERJ ER25X8	NEW ●	25	8	26	34
PZERJ ER25X9	NEW ●	25	9	26	34
PZERJ ER25X10	NEW ●	25	10	26	34
PZERJ ER25X11	NEW ●	25	11	26	34
PZERJ ER25X12	NEW ●	25	12	26	34
PZERJ ER25X13	NEW ●	25	13	26	34
PZERJ ER25X14	NEW ●	25	14	26	34
PZERJ ER 32					
PZERJ ER32X3	NEW ●	32	3	33	40
PZERJ ER32X4	NEW ●	32	4	33	40
PZERJ ER32X5	NEW ●	32	5	33	40
PZERJ ER32X6	NEW ●	32	6	33	40
PZERJ ER32X7	NEW ●	32	7	33	40
PZERJ ER32X8	NEW ●	32	8	33	40
PZERJ ER32X9	NEW ●	32	9	33	40
PZERJ ER32X10	NEW ●	32	10	33	40
PZERJ ER32X11	NEW ●	32	11	33	40
PZERJ ER32X12	NEW ●	32	12	33	40
PZERJ ER32X13	NEW ●	32	13	33	40
PZERJ ER32X14	NEW ●	32	14	33	40
PZERJ ER32X15	NEW ●	32	15	33	40
PZERJ ER32X16	NEW ●	32	16	33	40
PZERJ ER32X17	NEW ●	32	17	33	40
PZERJ ER32X18	NEW ●	32	18	33	40
PZERJ ER32X19	NEW ●	32	19	33	40
PZERJ ER32X20	NEW ●	32	20	33	40
PZERJ ER 40					
PZERJ ER40X3	NEW ●	40	3	41	46
PZERJ ER40X4	NEW ●	40	4	41	46
PZERJ ER40X5	NEW ●	40	5	41	46
PZERJ ER40X6	NEW ●	40	6	41	46
PZERJ ER40X7	NEW ●	40	7	41	46
PZERJ ER40X8	NEW ●	40	8	41	46
PZERJ ER40X9	NEW ●	40	9	41	46
PZERJ ER40X10	NEW ●	40	10	41	46
PZERJ ER40X11	NEW ●	40	11	41	46

La gamma prosegue nella pagina successiva | The range continues on the next page >>

>> **PZERJ** PINZE ER (A TENUTA CON FORI DI LUBRIFICAZIONE) | ER COLLETS (EXTERNALLY COOLED COLLETS)

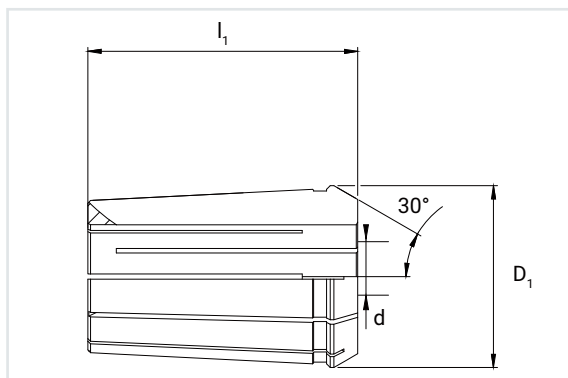
Codice d'ordine Order Code	STATUS	ER	d	D ₁	l ₁
PZERJ ER 40					
PZERJ ER40X12	NEW ●	40	12	41	46
PZERJ ER40X13	NEW ●	40	13	41	46
PZERJ ER40X14	NEW ●	40	14	41	46
PZERJ ER40X15	NEW ●	40	15	41	46
PZERJ ER40X16	NEW ●	40	16	41	46
PZERJ ER40X17	NEW ●	40	17	41	46
PZERJ ER40X18	NEW ●	40	18	41	46
PZERJ ER40X19	NEW ●	40	19	41	46
PZERJ ER40X20	NEW ●	40	20	41	46
PZERJ ER40X21	NEW ●	40	21	41	46
PZERJ ER40X22	NEW ●	40	22	41	46
PZERJ ER40X23	NEW ●	40	23	41	46
PZERJ ER40X24	NEW ●	40	24	41	46
PZERJ ER40X25	NEW ●	40	25	41	46

Portautensili abbinabili | Compatible Toolholders

	Codice Code	Pagina Page	
01 SK-DIN 69871			 01
SK 30 - 40 - 50	ISOER..	p. 033	
SK 40 - 50	ISOERM..	p. 036	 02
02 MAS 403-BT			
SK 30 - 40 - 50	BTER..	p. 083	
SK 30 - 40 - 50	BTERM..	p. 086	 03
03 HSK DIN 69893			
SK 40A - 50A - 63A - 100A	HSKER..	p. 131	
SK 63A - 100A	HSKERM..	p. 134	 04
04 POLIGONALE ISO 26623-1			
C 40 - 50 - 63 - 80	PLGER..	p. 160	 05
05 DIN 2080			
SK 30 - 40 - 50	2080ER..	p. 174	

PZOZ

PINZE OZ DIN 6388 (STANDARD) OZ COLLETS DIN 6388 (STANDARD)



Run Out: Max. 15 µm



Ordine d'ordine
Order Code

STATUS

OZ d D₁ l₁ Gamma di serraggio
Clamping Range

PZOZ OZ 16

PZOZ OZ16X2	●	16	2	25.5	40	2 ÷ 1.5
PZOZ OZ16X3	●	16	3	25.5	40	3 ÷ 2.5
PZOZ OZ16X4	●	16	4	25.5	40	4 ÷ 3.5
PZOZ OZ16X5	●	16	5	25.5	40	5 ÷ 4.5
PZOZ OZ16X6	●	16	6	25.5	40	6 ÷ 5.5
PZOZ OZ16X7	●	16	7	25.5	40	7 ÷ 6.5
PZOZ OZ16X8	●	16	8	25.5	40	8 ÷ 7.5
PZOZ OZ16X9	●	16	9	25.5	40	9 ÷ 8.5
PZOZ OZ16X10	●	16	10	25.5	40	10 ÷ 9.5
PZOZ OZ16X11	●	16	11	25.5	40	11 ÷ 10.5
PZOZ OZ16X12	●	16	12	25.5	40	12 ÷ 11.5
PZOZ OZ16X13	●	16	13	25.5	40	13 ÷ 12.5
PZOZ OZ16X14	●	16	14	25.5	40	14 ÷ 13.5
PZOZ OZ16X15	●	16	15	25.5	40	15 ÷ 14.5
PZOZ OZ16X16	●	16	16	25.5	40	16 ÷ 15.5

PZOZ OZ 25

PZOZ OZ25X2	●	25	2	35.05	52	2 ÷ 1.5
PZOZ OZ25X3	●	25	3	35.05	52	3 ÷ 2.5

La gamma prosegue nella pagina successiva | The range continues on the next page >>

>> **PZOZ** PINZE OZ DIN 6388 (STANDARD) | ER COLLETS DIN 6388 (STANDARD)




Codice d'ordine Order Code	STATUS	OZ	d	D ₁	l ₁	Gamma di serraggio Clamping Range
PZOZ OZ 25						
PZOZ OZ25X4	●	25	4	35.05	52	4 ÷ 3.5
PZOZ OZ25X5	●	25	5	35.05	52	5 ÷ 4.5
PZOZ OZ25X6	●	25	6	35.05	52	6 ÷ 5.5
PZOZ OZ25X7	●	25	7	35.05	52	7 ÷ 6.5
PZOZ OZ25X8	●	25	8	35.05	52	8 ÷ 7.5
PZOZ OZ25X9	●	25	9	35.05	52	9 ÷ 8.5
PZOZ OZ25X10	●	25	10	35.05	52	10 ÷ 9.5
PZOZ OZ25X11	●	25	11	35.05	52	11 ÷ 10.5
PZOZ OZ25X12	●	25	12	35.05	52	12 ÷ 11.5
PZOZ OZ25X13	●	25	13	35.05	52	13 ÷ 12.5
PZOZ OZ25X14	●	25	14	35.05	52	14 ÷ 13.5
PZOZ OZ25X15	●	25	15	35.05	52	15 ÷ 14.5
PZOZ OZ25X16	●	25	16	35.05	52	16 ÷ 15.5
PZOZ OZ25X17	●	25	17	35.05	52	17 ÷ 16.5
PZOZ OZ25X18	●	25	18	35.05	52	18 ÷ 17.5
PZOZ OZ25X19	●	25	19	35.05	52	19 ÷ 18.5
PZOZ OZ25X20	●	25	20	35.05	52	20 ÷ 19.5
PZOZ OZ25X21	●	25	21	35.05	52	21 ÷ 20.5
PZOZ OZ25X22	●	25	22	35.05	52	22 ÷ 21.5
PZOZ OZ25X23	●	25	23	35.05	52	23 ÷ 22.5
PZOZ OZ25X24	●	25	24	35.05	52	24 ÷ 23.5
PZOZ OZ25X25	●	25	25	35.05	52	25 ÷ 24.5
PZOZ OZ 32						
PZOZ OZ32X3	●	32	3	43.7	60	3 ÷ 2.5
PZOZ OZ32X4	●	32	4	43.7	60	4 ÷ 3.5
PZOZ OZ32X5	●	32	5	43.7	60	5 ÷ 4.5
PZOZ OZ32X6	●	32	6	43.7	60	6 ÷ 5.5
PZOZ OZ32X7	●	32	7	43.7	60	7 ÷ 6.5
PZOZ OZ32X8	●	32	8	43.7	60	8 ÷ 7.5
PZOZ OZ32X9	●	32	9	43.7	60	9 ÷ 8.5
PZOZ OZ32X10	●	32	10	43.7	60	10 ÷ 9.5
PZOZ OZ32X11	●	32	11	43.7	60	11 ÷ 10.5
PZOZ OZ32X12	●	32	12	43.7	60	12 ÷ 11.5
PZOZ OZ32X13	●	32	13	43.7	60	13 ÷ 12.5
PZOZ OZ32X14	●	32	14	43.7	60	14 ÷ 13.5
PZOZ OZ32X15	●	32	15	43.7	60	15 ÷ 14.5
PZOZ OZ32X16	●	32	16	43.7	60	16 ÷ 15.5
PZOZ OZ32X17	●	32	17	43.7	60	17 ÷ 16.5
PZOZ OZ32X18	●	32	18	43.7	60	18 ÷ 17.5

La gamma prosegue nella pagina successiva | The range continues on the next page >>

>> PZOZ PINZE OZ DIN 6388 (STANDARD) | ER COLLETS DIN 6388 (STANDARD)

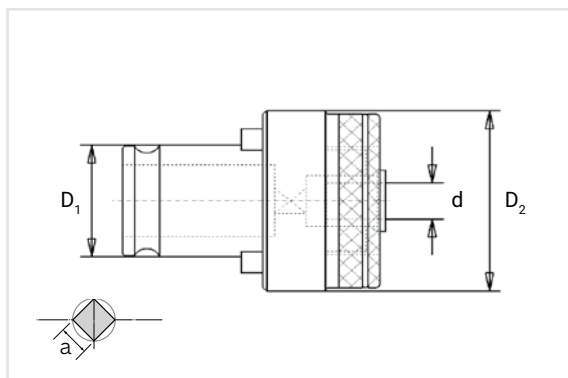
Codice d'ordine Order Code	STATUS	OZ	d	D ₁	l ₁	Gamma di serraggio Clamping Range
PZOZ OZ 32						
PZOZ OZ32X19	●	32	19	43.7	60	19 ÷ 18.5
PZOZ OZ32X20	●	32	20	43.7	60	20 ÷ 19.5
PZOZ OZ32X21	●	32	21	43.7	60	21 ÷ 20.5
PZOZ OZ32X22	●	32	22	43.7	60	22 ÷ 21.5
PZOZ OZ32X23	●	32	23	43.7	60	23 ÷ 22.5
PZOZ OZ32X24	●	32	24	43.7	60	24 ÷ 23.5
PZOZ OZ32X25	●	32	25	43.7	60	25 ÷ 24.5
PZOZ OZ32X26	●	32	26	43.7	60	26 ÷ 25.5
PZOZ OZ32X27	●	32	27	43.7	60	27 ÷ 26.5
PZOZ OZ32X28	●	32	28	43.7	60	28 ÷ 27.5
PZOZ OZ32X29	●	32	29	43.7	60	29 ÷ 28.5
PZOZ OZ32X30	●	32	30	43.7	60	30 ÷ 29.5
PZOZ OZ32X31	●	32	31	43.7	60	31 ÷ 30.5
PZOZ OZ32X32	●	32	32	43.7	60	32 ÷ 31.5

Portautensili abbinabili | Compatible Toolholders

	Codice Code	Pagina Page	
01 SK-DIN 69871			 01
SK 30 - 40 - 50	ISOOZ..	p. 038	
02 MAS 403-BT			 02
SK 30 - 40 - 50	BT0Z..	p. 088	
03 DIN 2080			 05
SK 30 - 40 - 50	2080ER..	p. 176	

PZCFR

PINZE CON FRIZIONE TAPPING COLLETS WITH CLUTCH



Ordine d'ordine
Order Code STATUS

Tipo
Type d D₁ D₂ a

PZCFR 1

PZCFR 1X2.8X2.1	●
PZCFR 1X3.5X2.7	●
PZCFR 1X4X3	●
PZCFR 1X4.5X3.4	●
PZCFR 1X6X4.9	●
PZCFR 1X6X4.9-5	■
PZCFR 1X7X5.5	●
PZCFR 1X8X6.2	●
PZCFR 1X9X7	●
PZCFR 1X10X8	●
PZCFR 1X11X9	●
PZCFR 1X12X9	■

1	2.8	19	32	2.1
1	3.5	19	32	2.7
1	4	19	32	3
1	4.5	19	32	3.4
1	6	19	32	4.9
1	6	19	32	4.9-5
1	7	19	32	5.5
1	8	19	32	6.2
1	9	19	32	7
1	10	19	32	8
1	11	19	32	9
1	12	19	32	9

PZCFR 2

PZCFR 2X6X4.9	●
PZCFR 2X7X5.5	●
PZCFR 2X8X6.2	●
PZCFR 2X9X7	●
PZCFR 2X10X8	●






2	6	31	50	4.9
2	7	31	50	5.5
2	8	31	50	6.2
2	9	31	50	7
2	10	31	50	8

■ Fino ad esaurimento scorte | Till stocks last La gamma prosegue nella pagina successiva | The range continues on the next page >>

>> PZCFR PINZE CON FRIZIONE | TAPPING COLLETS WITH CLUTCH

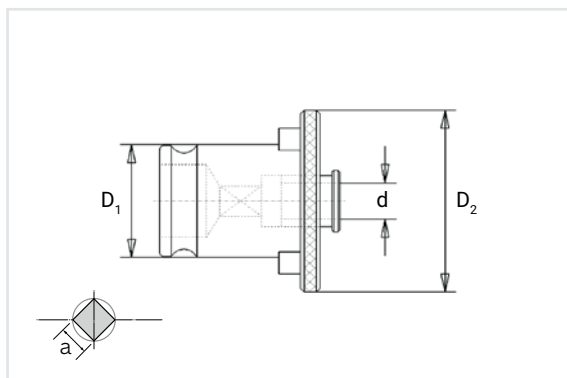
Codice d'ordine Order Code	STATUS	Tipo Type	d	D ₁	D ₂	a
PZCFR 2						
PZCFR 2X11X9	●	2	11	31	50	9
PZCFR 2X12X9	●	2	12	31	50	9
PZCFR 2X14X11	●	2	14	31	50	11
PZCFR 2X16X12	●	2	16	31	50	12
PZCFR 2X18X14.5	●	2	18	31	50	14.5
PZCFR 2X20X16	●	2	20	31	50	16
PZCFR 3						
PZCFR 3X11X9	●	3	11	48	72	9
PZCFR 3X12X9	●	3	12	48	72	9
PZCFR 3X14X11	●	3	14	48	72	11
PZCFR 3X16X12	●	3	16	48	72	12
PZCFR 3X18X14.5	●	3	18	48	72	14.5
PZCFR 3X20X16	●	3	20	48	72	16
PZCFR 3X22X18	●	3	22	48	72	18
PZCFR 3X25X20	●	3	25	48	72	20
PZCFR 3X28X22	●	3	28	48	72	22

Portautensili abbinabili | Compatible Toolholders

	Codice Code	Pagina Page	
01 SK-DIN 69871			
SK 30 - 40 - 50	ISOMS..	p. 059	
02 MAS 403-BT			
SK 30 - 40 - 50	BTMS..	p. 106	
03 HSK DIN 69893			
SK 63A - 100A	HSKMS..	p. 150	
04 POLIGONALE ISO 26623-1			
C 40 - 50	PLGMS..	p. 169	
05 DIN 2080			
SK 30 - 40 - 50	2080MS..	p. 188	

PZSFR

PINZE SENZA FRIZIONE TAPPING COLLETS WITHOUT CLUTCH



Ordine d'ordine
Order Code STATUS

Tipo
Type d D₁ D₂ a

PZSFR 1

PZSFR 1X2.8X2.1	●
PZSFR 1X3.5X2.7	●
PZSFR 1X4X3	●
PZSFR 1X4X3.2	■
PZSFR 1X4.5X3.4	●
PZSFR 1X6X4.9	●
PZSFR 1X7X5.5	●
PZSFR 1X8X6.2	●
PZSFR 1X9X7	●
PZSFR 1X10X8	●
PZSFR 1X11X9	●
PZSFR 1X12X9	■

1	2.8	19	32	2.1
1	3.5	19	32	2.7
1	4	19	32	3
1	4	19	32	3.2
1	4.5	19	32	3.4
1	6	19	32	4.9
1	7	19	32	5.5
1	8	19	32	6.2
1	9	19	32	7
1	10	19	32	8
1	11	19	32	9
1	12	19	32	9

PZSFR 2

PZSFR 2X6X4.9	●
PZSFR 2X7X5.5	●
PZSFR 2X8X6.2	●
PZSFR 2X9X7	●
PZSFR 2X10X8	●






2	6	31	50	4.9
2	7	31	50	5.5
2	8	31	50	6.2
2	9	31	50	7
2	10	31	50	8

■ Fino ad esaurimento scorte | Till stocks last La gamma prosegue nella pagina successiva | The range continues on the next page >>

>> PZSFR PINZE SENZA FRIZIONE | TAPPING COLLETS WITHOUT CLUTCH

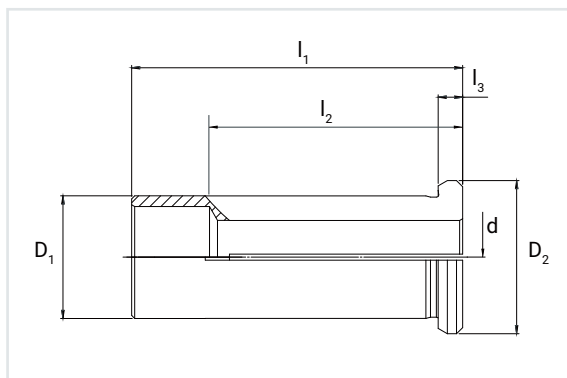
Codice d'ordine Order Code	STATUS	Tipo Type	d	D ₁	D ₂	a
PZSFR 2						
PZSFR 2X11X9	●	2	11	31	50	9
PZSFR 2X12X9	●	2	12	31	50	9
PZSFR 2X14X11	●	2	14	31	50	11
PZSFR 2X16X12	●	2	16	31	50	12
PZSFR 2X18X14.5	●	2	18	31	50	14.5
PZSFR 2X20X16	●	2	20	31	50	16
PZSFR 3						
PZSFR 3X11X9	●	3	11	48	72	9
PZSFR 3X12X9	●	3	12	48	72	9
PZSFR 3X14X11	●	3	14	48	72	11
PZSFR 3X16X12	●	3	16	48	72	12
PZSFR 3X18X14.5	●	3	18	48	72	14.5
PZSFR 3X20X16	●	3	20	48	72	16
PZSFR 3X22X18	●	3	22	48	72	18
PZSFR 3X25X20	●	3	25	48	72	20
PZSFR 3X28X22	●	3	28	48	72	22

Portautensili abbinabili | Compatible Toolholders

	Codice Code	Pagina Page	
01 SK-DIN 69871			
SK 30 - 40 - 50	ISOMS..	p. 059	01
02 MAS 403-BT			
SK 30 - 40 - 50	BTMS..	p. 106	02
03 HSK DIN 69893			
SK 63A - 100A	HSKMS..	p. 150	03
04 POLIGONALE ISO 26623-1			
C 40 - 50	PLGMS..	p. 169	04
05 DIN 2080			
SK 30 - 40 - 50	2080MS..	p. 188	05

BSFS

BUSSOLE DI RIDUZIONE PER FORTE SERRAGGIO REDUCTION SLEEVE FOR POWER MILLING CHUCKS



Run Out: Max. 5 µm



Ordine d'ordine
Order Code

STATUS

BSFS 20

BSFS 20X3	NEW ●
BSFS 20X4	NEW ●
BSFS 20X5	NEW ●
BSFS 20X6	NEW ●
BSFS 20X7	NEW ●
BSFS 20X8	NEW ●
BSFS 20X9	NEW ●
BSFS 20X10	NEW ●
BSFS 20X11	NEW ●
BSFS 20X12	NEW ●
BSFS 20X13	NEW ●
BSFS 20X14	NEW ●
BSFS 20X15	NEW ●
BSFS 20X16	NEW ●
BSFS 20X17	NEW ●
BSFS 20X18	NEW ●




d	D ₁	D ₂	l ₁	l ₂	l ₃
3	20	25	54	15	4
4	20	25	54	23	4
5	20	25	54	23	4
6	20	25	54	35	4
7	20	25	54	35	4
8	20	25	54	40	4
9	20	25	54	40	4
10	20	25	54	40	4
11	20	25	54	40	4
12	20	25	54	40	4
13	20	25	54	45	4
14	20	25	54	45	4
15	20	25	54	45	4
16	20	25	54	45	4
17	20	25	54	45	4
18	20	25	54	45	4

La gamma prosegue nella pagina successiva | The range continues on the next page >>

>> BSFS BUSSOLE DI RIDUZIONE PER FORTE SERRAGGIO REDUCTION SLEEVE FOR POWER MILLING CHUCKS

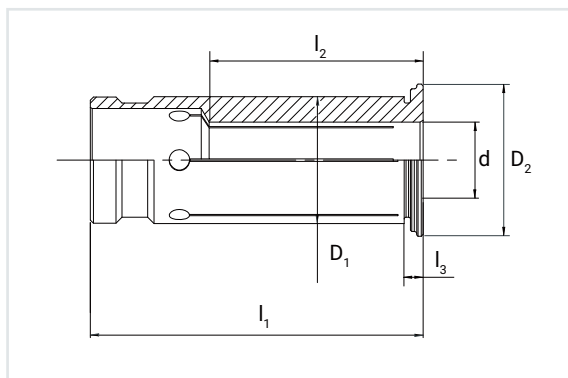
Codice d'ordine Order Code	STATUS	d	D ₁	D ₂	l ₁	l ₂	l ₃
BSFS 32							
BSFS 32X6	NEW ●	6	32	36	63	36	3
BSFS 32X7	NEW ●	7	32	36	63	36	3
BSFS 32X8	NEW ●	8	32	36	63	36	3
BSFS 32X9	NEW ●	9	32	36	63	40	3
BSFS 32X10	NEW ●	10	32	36	63	40	3
BSFS 32X11	NEW ●	11	32	36	63	40	3
BSFS 32X12	NEW ●	12	32	36	63	45	3
BSFS 32X13	NEW ●	13	32	36	63	45	3
BSFS 32X14	NEW ●	14	32	36	63	45	3
BSFS 32X15	NEW ●	15	32	36	63	48	3
BSFS 32X16	NEW ●	16	32	36	63	48	3
BSFS 32X17	NEW ●	17	32	36	63	48	3
BSFS 32X18	NEW ●	18	32	36	63	48	3
BSFS 32X19	NEW ●	19	32	36	63	50	3
BSFS 32X20	NEW ●	20	32	36	63	50	3
BSFS 32X21	NEW ●	21	32	36	63	50	3
BSFS 32X22	NEW ●	22	32	36	63	50	3
BSFS 32X23	NEW ●	23	32	36	56	56	3
BSFS 32X24	NEW ●	24	32	36	63	56	3
BSFS 32X25	NEW ●	25	32	36	63	56	3

Portautensili abbinabili | Compatible Toolholders

	Codice Code	Pagina Page	
01 SK-DIN 69871			
SK 40 - 50	ISOFS..	p. 027	
02 MAS 403-BT			
SK 40 - 50	BTFS..	p. 079	
03 HSK DIN 69893			
SK 63A	HSKFS..	p. 125	

BSID

BUSSOLE DI RIDUZIONE PER SERRAGGIO IDRAULICO REDUCTION SLEEVE FOR HYDRAULIC CHUCKS



Run Out: Max. 5 µm



Ordine d'ordine
Order Code

STATUS

BSID 12

Ordine d'ordine Order Code	STATUS
BSID 12X3	NEW ●
BSID 12X4	NEW ●
BSID 12X5	NEW ●
BSID 12X6	NEW ●
BSID 12X7	NEW ●
BSID 12X8	NEW ●
BSID 12X10	NEW ●

BSID 20

BSID 20X3	NEW ●
BSID 20X4	NEW ●
BSID 20X5	NEW ●
BSID 20X6	●
BSID 20X7	NEW ●
BSID 20X8	●
BSID 20X9	NEW ●
BSID 20X10	●
BSID 20X11	NEW ●
BSID 20X12	●




d	D ₁	D ₂	l ₁	l ₂	l ₃
3	12	20	47	16	2
4	12	20	47	16	2
5	12	20	47	16	2
6	12	20	47	24	2
7	12	20	47	24	2
8	12	20	47	24	2
10	12	20	47	24	2
3	20	30	52.5	15	2
4	20	30	52.5	22	2
5	20	30	52.5	22	2
6	20	30	52.5	27	2
7	20	30	52.5	27	2
8	20	30	52.5	37.5	2
9	20	30	52.5	37.5	2
10	20	30	52.5	37.5	2
11	20	30	52.5	37.5	2
12	20	30	52.5	37.5	2

La gamma prosegue nella pagina successiva | The range continues on the next page >>

>> BSID BUSSOLE DI RIDUZIONE PER SERRAGGIO IDRAULICO REDUCTION SLEEVE FOR HYDRAULIC CHUCKS

Codice d'ordine Order Code	STATUS	d	D ₁	D ₂	l ₁	l ₂	l ₃
BSID 20							
BSID 20X13	NEW ●	13	20	30	52.5	37.5	2
BSID 20X14	NEW ●	14	20	30	52.5	37.5	2
BSID 20X15	NEW ●	15	20	30	52.5	37.5	2
BSID 20X16	●	16	20	30	52.5	37.5	2
BSID 20X17	NEW ●	17	20	30	52.5	37.5	2
BSID 20X18	NEW ●	18	20	30	52.5	37.5	2
BSID 32							
BSID 32X6	NEW ●	6	32	36	63	-	-
BSID 32X8	NEW ●	8	32	36	63	-	-
BSID 32X10	●	10	32	36	63	-	-
BSID 32X12	●	12	32	36	63	-	-
BSID 32X14	●	14	32	36	63	-	-
BSID 32X16	●	16	32	36	63	-	-
BSID 32X18	●	18	32	36	63	-	-
BSID 32X20	●	20	32	36	63	-	-
BSID 32X25	●	25	32	36	63	-	-

Portautensili abbinabili | Compatible Toolholders

	Codice Code	Pagina Page	
01 SK-DIN 69871			
SK 40 - 50	ISOID..	p. 025	
02 MAS 403-BT			
SK 40 - 50	BTID..	p. 077	
03 HSK DIN 69893			
SK 63A - 100A	HSKID..	p. 123	

PZER SET BP

SET PINZE ER (STANDARD)
"VALIGETTA IN PLASTICA"
SET ER COLLETS (STANDARD)
"PLASTIC BOX"



Codice d'ordine Order Code	STATUS
-------------------------------	--------

PZERSET BP

PZERSET ER8-9-BP	NEW ●
PZERSET ER11-13-BP	NEW ●
PZERSET ER16-8-BP	NEW ●
PZERSET ER20-11-BP	NEW ●
PZERSET ER25-14-BP	NEW ●
PZERSET ER32-18-BP	NEW ●
PZERSET ER40-23-BP	NEW ●

ER	Pinze Collets	Range diametri Diameters Range
8	9	1-5
11	13	1-7
16	8	3-10
20	11	3-13
25	14	3-16
32	18	3-20
40	23	4-26

PZER SET BL

SET PINZE ER (STANDARD)
"BASE IN LEGNO"
SET ER COLLETS (STANDARD)
"WOODEN BASE"



Codice d'ordine Order Code	STATUS
-------------------------------	--------

PZERSET BL

PZER SET ER16	●
PZER SET ER20	●
PZER SET ER25	●
PZER SET ER32	●
PZER SET ER40	●

ER	Pinze Collets	Range diametri Diameters Range
16	10	1-10
20	12	2-13
25	15	2-16
32	18	3-20
40	23	4-26

ERUP SET

SET PINZE ER (ULTRA PRECISE)
"VALIGETTA IN PLASTICA"
SET ER COLLETS (HIGH PRECISION)
"PLASTIC BOX"



Codice d'ordine Order Code	STATUS
-------------------------------	--------

ERUPSET

ERUPSET ER11-13-BP	NEW ●
ERUPSET ER16-8-BP	NEW ●
ERUPSET ER20-12-BP	NEW ●
ERUPSET ER25-15-BP	NEW ●
ERUPSET ER32-18-BP	NEW ●
ERUPSET ER40-23-BP	NEW ●

ER	Pinze Collets	Range diametri Diameters Range
11	13	1-7
16	8	3-10
20	12	2-13
25	15	2-16
32	18	3-20
40	23	4-26

ERVU SET

SET PINZE ER (VULCANIZZATE)
"VALIGETTA IN PLASTICA"
SET ER COLLETS (RUBBER SEALED)
"PLASTIC BOX"



Codice d'ordine Order Code	STATUS
-------------------------------	--------

ERVUSET

ERVUSET ER20-11-BP	NEW ●
ERVUSET ER25-14-BP	NEW ●
ERVUSET ER32-18-BP	NEW ●
ERVUSET ER40-23-BP	NEW ●

ER	Pinze Collets	Range diametri Diameters Range
20	11	3-13
25	14	3-16
32	18	3-20
40	23	4-46

SCO

VALIGETTA IN PLASTICA
"PORTA PINZE ER E
PORTA MANDRINO"
PLASTIC BOX
"FOR ER COLLETS AND
COLLET CHUCKS"



Codice d'ordine
Order Code

STATUS

Fori per Pinze
Holes for Collets

Possibilità di alloggiamento
Possibility of accommodation

SCO

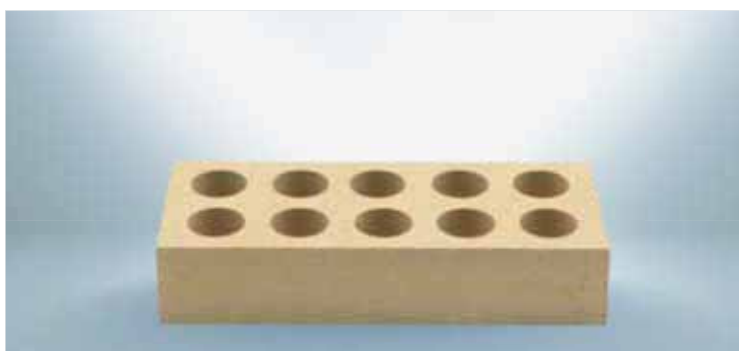
SCO SK40	●
SCO SK50	●

24	Mandrino, Pinze ER, Chiave di serraggio
24	Mandrino, Pinze ER, Chiave di serraggio

La valigetta viene fornita vuota | The case is supplied empty

SER

BASE IN LEGNO
"PORTA PINZE ER"
WOODEN BASE
"FOR ER COLLETS"



Codice d'ordine
Order Code

STATUS

ER

OZ

Fori per Pinze
Holes for Collets

Possibilità di alloggiamento
Possibility of accommodation

SER ER..

SER ER16	●
SER ER25	●
SER ER32	●
SER ER40	●

16	-	10	Pinze ER
20	-	18	Pinze ER
32	-	18	Pinze ER
40	-	24	Pinze ER

SER OZ..

SER OZ16	●
SER OZ25	●

-	16	15	Pinze OZ
-	25	30	Pinze OZ

La base in legno viene fornita vuota | The wooden base is supplied empty

NOTE
