

EXTRA



HSK - DIN 69893

NEW



p. 276

CVLB

Chiave per Raccordo Refrigerante
Wrench for Assembling Coolant Tube



p. 277

CVER

Chiave di Bloccaggio ER (Standard)
Wrench for ER (Standard)



p. 277

CVERM

CHIAVE DI BLOCCAGGIO ER (Mini)
WRENCH FOR ER (Mini)



p. 278

CVOZ

Chiave di Bloccaggio OZ
Wrench for OZ



p. 279

CVCR

Chiave di Bloccaggio per Portafrese (DIN 6368)
Wrench for Endmill Holders (DIN 6368)



p. 280

SWE

Vite di Bloccaggio per Attacco Weldon
Clamping Screw for Weldon Holders



p. 281

VTCR

Vite di Bloccaggio per Portafrese (DIN 6367)
Clamping Screw for End Mill Holders (DIN 6367)



p. 282

RWE

Riduzioni per Attacco Weldon
Reductions for Weldon Holders



p. 283

RTF

Riduzioni per Porta Testine Filettate
Reductions for Screwed Milling Cutters



p. 284-285

WEMS

Mandrino a Cambio Rapido con Compensazione, Attacco Weldon
Quick Change Tapping Chuck with Compensation



p. 286

ANTR

Anello di Trascinamento (DIN 6366) per Portafrese Combinati
Drive Ring (DIN 6366) for Combi Shell End Mill Holders

HSK - DIN 69893



p. 287

HSKLB

Raccordo per Refrigerante Mandrini
Coolant Tube for Toolholders



NEW

p. 288-290

CLSPZ

Spessori (DIN 2084B)
Spacing Collars (DIN 2084B)



NEW

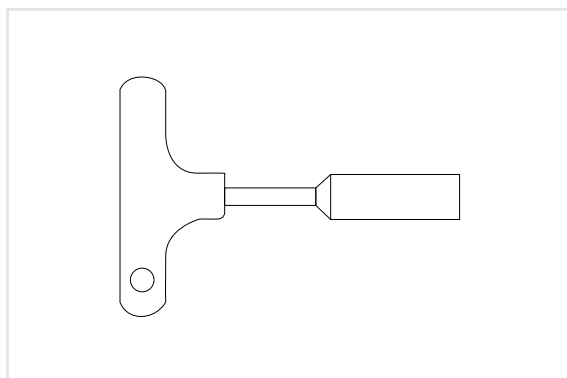
p. 291

SMTC

Supporto di Montaggio Meccanico
Mechanical Mounting Support

CVLB

CHIAVE PER RACCORDO REFRIGERANTE (HSK - DIN 69893)
 WRENCH FOR ASSEMBLING COOLANT TUBE (HSK - DIN 69893)



Codice d'ordine Order Code	STATUS	SK
CVLB (Standard Standard)		
CVLB 63	NEW ●	63
CVLB 100	NEW ●	100

Portautensili abbinabili | Compatible Toolholders

01 SK - DIN 69871	02 MAS403 - BT	03 HSK - DIN 69893	04 POLYGONAL	05 DIN 2080
--------------------------	-----------------------	---------------------------	---------------------	--------------------

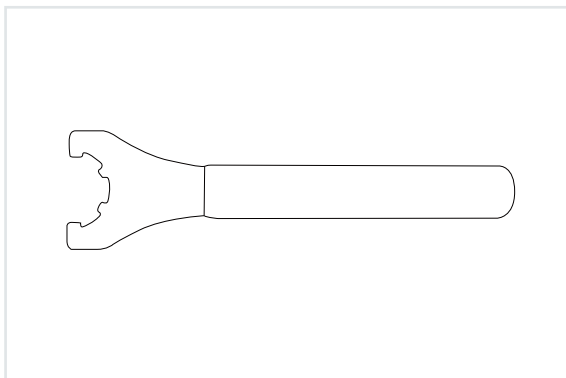
-	-	HSK ..	p. 116	-	-	-	-
---	---	--------	--------	---	---	---	---



03

CVER.

**CHIAVE DI BLOCCAGGIO ER (STANDARD-MINI)
WRENCH FOR ER (STANDARD-MINI)**



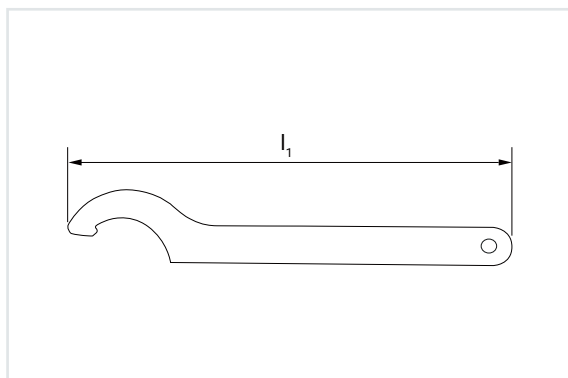
Codice d'ordine Order Code	STATUS	ER
CVER.. (Standard Standard)		
CVER 16	●	16
CVER 25	●	25
CVER 32	●	32
CVER 40	●	40
CVER 50	●	50
CVERM.. (Mini Mini)		
CVERM 8	●	8
CVERM 11	●	11
CVERM 16	●	16
CVERM 25	●	25

Portautensili abbinabili | Compatible Toolholders

01 SK - DIN 69871		02 MAS403 - BT		03 HSK - DIN 69893		04 POLYGONAL		05 DIN 2080	
ISOER ..	p. 033	BTER ...	p. 083	HSKER	p. 131	PLGER	p. 160	2080ER	p. 174
ISOERM	p. 036	BTERM	p. 086	HSKERM	p. 134	-	-	-	-

CVOZ

CHIAVE DI BLOCCAGGIO OZ WRENCH FOR OZ



Codice d'ordine Order Code	STATUS	OZ	l_1	Tipo OZ OZ Type
CVOZ.. (Standard Standard)				
CVOZ OZ16	●	16	170	415
CVOZ OZ25	●	25	240	462
CVOZ OZ32	■	32	240	467

■ Fino ad esaurimento scorte | Till stocks last

Portautensili abbinabili | Compatible Toolholders

01 SK - DIN 69871	02 MAS403 - BT	03 HSK - DIN 69893	04 POLYGONAL	05 DIN 2080
--------------------------	-----------------------	---------------------------	---------------------	--------------------

ISOOZ ..	p. 038	BTOZ ...	p. 088	-	-	-	-	-	-
----------	--------	----------	--------	---	---	---	---	---	---



01



02

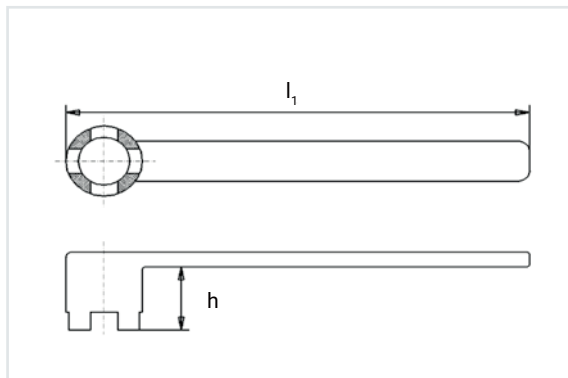


03

CVCR

CHIAVE DI BLOCCAGGIO PER PORTAFRESE (DIN 6368)

WRENCH FOR ENDMILL HOLDERS (DIN 6368)



Codice d'ordine
Order Code

STATUS

D

l_1

h

CVCR..

CVCR 13	●	13	-	16
CVCR 16	●	16	180	20
CVCR 22	●	22	200	25
CVCR 27	●	27	225	32
CVCR 32	●	32	250	36
CVCR 40	●	40	280	40
CVCR 50	●	50	315	45

Portautensili abbinabili | Compatible Toolholders

01 SK - DIN 69871

02 MAS403 - BT

03 HSK - DIN 69893

04 POLYGONAL

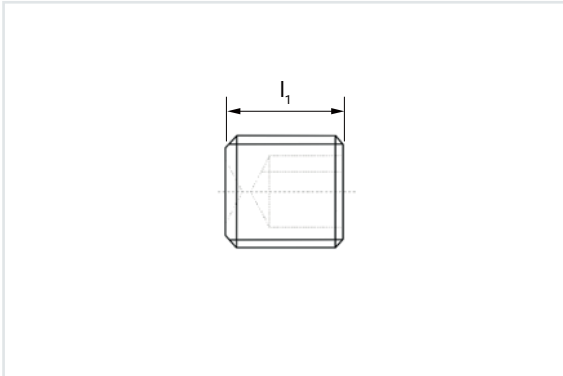
05 DIN 2080

ISOFI ..	p. 049	BTFI ...	p. 098	HSKFI ...	p. 142	PLGFI ...	p. 166	2080FI ...	p. 181
ISOAC ..	p. 052	BTAC ...	p. 100	HSKAC ...	p. 145	-	-	2080AC ...	p. 183



SWE

VITE DI BLOCCAGGIO PER ATTACCO WELDON
CLAMPING SCREW FOR WELDON HOLDERS



Codice d'ordine Order Code	STATUS	Ø	l ₁	M
SWE				
SWE 6	●	6	10	M6 X 1.00
SWE 8	●	8	10	M8 X 1.25
SWE 10	●	10	12	M10 X 1.50
SWE 12	●	12	16	M12 X 1.75
SWE 16	●	16	16	M14 X 2.00
SWE 20	●	20	16	M16 X 2.00
SWE 25	●	25	20	M18 X 2.00
SWE 32	●	32	20	M20 X 2.00

Portautensili abbinabili | Compatible Toolholders

01 SK - DIN 69871	02 MAS403 - BT	03 HSK - DIN 69893	04 POLYGONAL	05 DIN 2080
--------------------------	-----------------------	---------------------------	---------------------	--------------------

ISOWE .. p. 040	BTWE ... p. 090	HSKWE ... p. 136	PLGWE ... p. 163	2080WE ... p. 178
-----------------	-----------------	------------------	------------------	-------------------



01



02



03



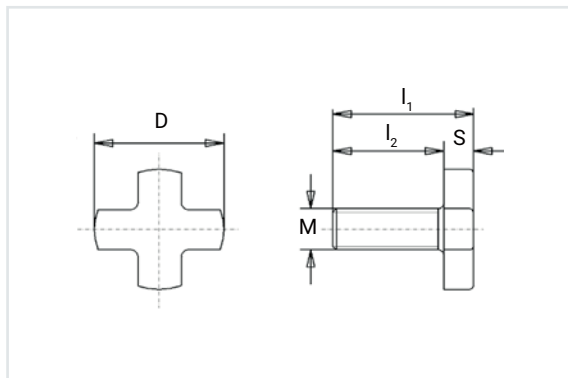
04



05

VTCR

VITE DI BLOCCAGGIO PER PORTAFRESE (DIN 6367) CLAMPING SCREW FOR END MILL HOLDERS (DIN 6367)



Codice d'ordine
Order Code

STATUS

d D I₁ I₂ M S

VTCR

VTCR 13	●
VTCR 16	●
VTCR 22	●
VTCR 27	●
VTCR 32	●
VTCR 40	●
VTCR 50	●

13	17	17	12	M6	5
16	20	22	16	M8	6
22	28	25	18	M10	7
27	35	30	22	M12	8
32	42	35	26	M16	9
40	52	40	30	M20	10
50	63	48	36	M24	12

Portautensili abbinabili | Compatible Toolholders

01 SK - DIN 69871

02 MAS403 - BT

03 HSK - DIN 69893

04 POLYGONAL

05 DIN 2080

ISOFI ..	p. 049	BTFI ...	p. 098	HSKFI ...	p. 142	PLGFI ...	p. 166	2080FI ...	p. 181
ISOAC ..	p. 052	BTAC ...	p. 100	HSKAC ...	p. 145	-	-	2080AC ...	p. 183



01



02



03



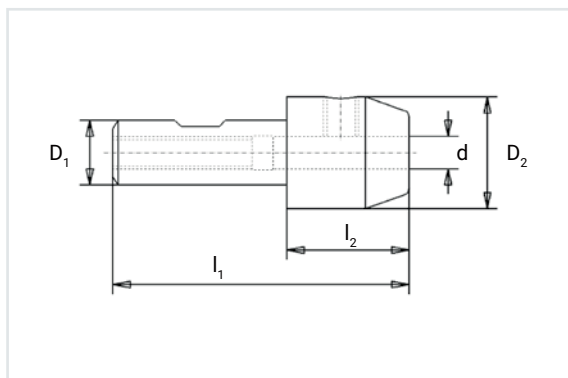
04



05

RWE

RIDUZIONI PER ATTACCO WELDON REDUCTIONS FOR WELDON HOLDERS



Codice d'ordine Order Code	STATUS	d	D ₁	D ₂	l ₁	l ₂
RWE 20						
RWE 20X6	●	6	20	25	75	25
RWE 20X8	●	8	20	28	77	27
RWE 20X10	●	10	20	35	80	30
RWE 20X12	●	12	20	42	85	35
RWE 32						
RWE 32X6	●	6	32	25	90	30
RWE 32X8	●	8	32	28	90	30
RWE 32X10	●	10	32	35	95	35
RWE 32X12	●	12	32	42	95	35
RWE 32X14	●	14	32	42	95	35
RWE 32X16	●	16	32	48	100	40
RWE 32X18	●	18	32	48	100	40
RWE 32X20	●	20	32	52	100	40

Portautensili abbinabili | Compatible Toolholders

01 SK - DIN 69871

02 MAS403 - BT

03 HSK - DIN 69893

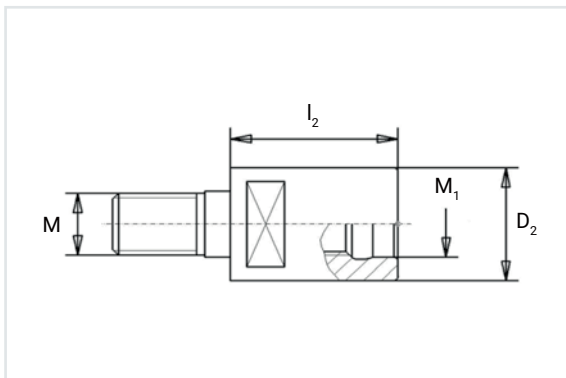
04 POLYGONAL

05 DIN 2080

ISOWE ..	p. 040	BTWE ...	p. 090	HSKWE ...	p. 136	PLGWE ...	p. 163	2080WE ...	p. 178
----------	--------	----------	--------	-----------	--------	-----------	--------	------------	--------

RTF

RIDUZIONI PER PORTA TESTINE FILETTATE REDUCTIONS FOR SCREWED MILLING CUTTERS



Codice d'ordine
Order Code STATUS

D₂ l₂ M M₁

RTF

RTF M8XM5	●	13	30	M8	M5
RTF M10XM8	●	18,5	30	M10	M8
RTF M12XM10	●	23	35	M12	M10
RTF M16XM10	●	30	60	M16	M10
RTF M16XM12	●	30	60	M16	M12

Portautensili abbinabili | Compatible Toolholders

01 SK - DIN 69871

02 MAS403 - BT

03 HSK - DIN 69893

04 POLYGONAL

05 DIN 2080

ISOTF ..	p. 029	BTTF ...	p. 081	HSKTF ...	p. 127	-	-	-	-
ISOTFC ..	p. 031	-	-	HSKTFC ...	p. 129	-	-	-	-



01



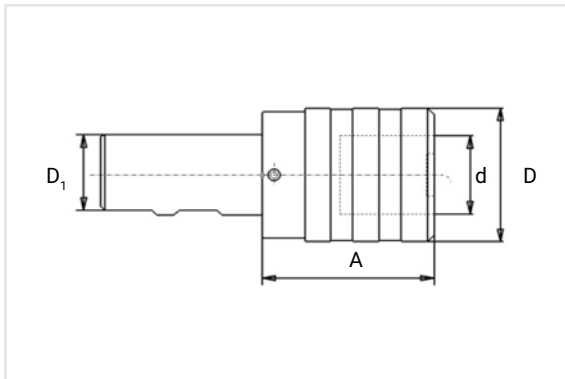
02



03

WEMS

MANDRINO A CAMBIO RAPIDO CON COMPENSAZIONE, ATTACCO WELDON
 QUICK CHANGE TAPPING CHUCK WITH COMPENSATION, WELDON SHAFT



Codice d'ordine Order Code	STATUS
-------------------------------	--------

WEMS 20

WEMS 20X1	●
WEMS 20X2	●

WEMS 25

WEMS 25X1	●
WEMS 25X2	●

WEMS 32

WEMS 32X1	●
WEMS 32X2	●
WEMS 32X3	●

Tipo Type	d	D	D ₁	A
--------------	---	---	----------------	---

1	19	38	20	41
2	31	55	20	63

1	19	38	25	41
2	31	55	25	63

1	19	38	32	41
2	31	55	32	63
3	48	79	32	109

La gamma prosegue nella pagina successiva | The range continues on the next page >>

>> WEMS MANDRINO A CAMBIO RAPIDO CON COMPENSAZIONE, ATTACCO WELDON
 QUICK CHANGE TAPPING CHUCK WITH COMPENSATION, WELDON SHAFT

Codice d'ordine Order Code	STATUS	Tipo Type	d	D	D ₁	A
WEMS 40						
WEMS 40X1	●	1	19	38	40	41
WEMS 40X2	●	2	31	55	40	63
WEMS 40X3	●	3	48	79	40	98

Portautensili abbinabili | Compatible Toolholders

01 SK - DIN 69871	02 MAS403 - BT	03 HSK - DIN 69893	04 POLYGONAL	05 DIN 2080
--------------------------	-----------------------	---------------------------	---------------------	--------------------

ISOWE ..	p. 040	BTWE ...	p. 090	HSKWE ...	p. 136	PLGWE ...	p. 163	2080WE ...	p. 178
----------	--------	----------	--------	-----------	--------	-----------	--------	------------	--------



01



02



03



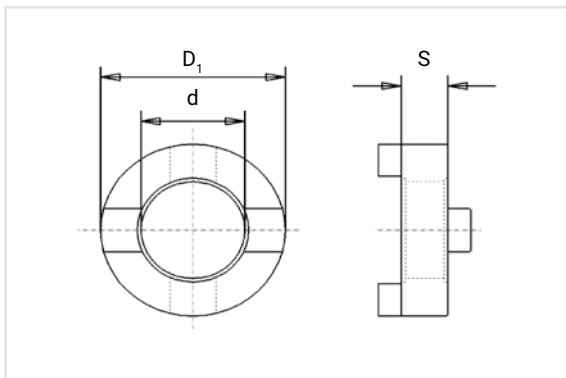
04



05

ANTR

ANELLO DI TRASCINAMENTO (DIN 6366) PER PORTAFRESE COMBINATI DRIVE RING (DIN 6366) FOR COMBI SHELL END MILL HOLDERS



Codice d'ordine
Order Code

STATUS

ANTR

ANTR 13	●
ANTR 16	●
ANTR 22	●
ANTR 27	●
ANTR 32	●
ANTR 40	●
ANTR 50	●

d	D ₁	S
13	28	10
16	32	10
22	40	12
27	48	12
32	58	14
40	70	14
50	90	16

Portautensili abbinabili | Compatible Toolholders

01 SK - DIN 69871

02 MAS403 - BT

03 HSK - DIN 69893

04 POLYGONAL

05 DIN 2080

ISOAC ..	p. 052	BTAC ...	p. 100	HSKAC ...	p. 145	-	-	2080AC ...	p. 183
----------	--------	----------	--------	-----------	--------	---	---	------------	--------



01



02



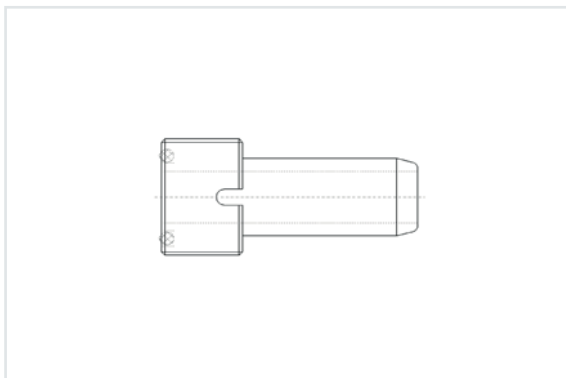
03



05

HSKLB

RACCORDO PER REFRIGERANTE MANDRINI (HSK - DIN 69893) COOLANT TUBE FOR (HSK - DIN 69893) TOOLHOLDERS



Codice d'ordine Order Code	STATUS	SK
HSKLB		
HSKLB 63	•	63
HSKLB 100	•	100

Portautensili abbinabili | Compatible Toolholders

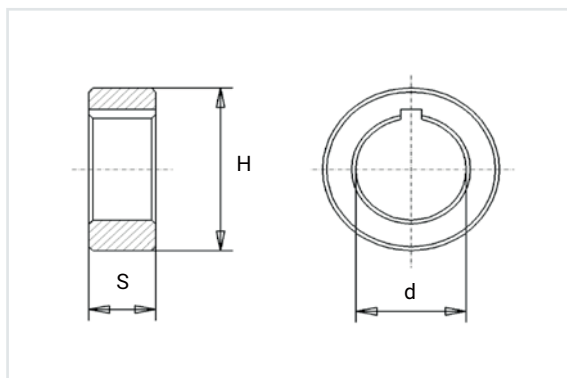
01 SK - DIN 69871	02 MAS403 - BT	03 HSK - DIN 69893	04 POLYGONAL	05 DIN 2080
-	-	HSK ...	p. 116	-



03

CLSPZ

SPESSORI (DIN 2084B) SPACING COLLARS (DIN 2084B)



Codice d'ordine Order Code	STATUS
-------------------------------	--------

CLSPZ 16

CLSPZ 16X2	NEW ●
CLSPZ 16X3	NEW ●
CLSPZ 16X4	NEW ●
CLSPZ 16X5	NEW ●
CLSPZ 16X10	NEW ●
CLSPZ 16X20	NEW ●
CLSPZ 16X30	NEW ●

CLSPZ 22

CLSPZ 22X2	NEW ●
CLSPZ 22X3	NEW ●
CLSPZ 22X4	NEW ●
CLSPZ 22X5	NEW ●
CLSPZ 22X6	NEW ●
CLSPZ 22X10	NEW ●
CLSPZ 22X20	NEW ●
CLSPZ 22X30	NEW ●

d	S	H
16	2	27
16	3	27
16	4	27
16	5	27
16	10	27
16	20	27
16	30	27
22	2	34
22	3	34
22	4	34
22	5	34
22	6	34
22	10	34
22	20	34
22	30	34

La gamma prosegue nella pagina successiva | The range continues on the next page >>

>> CLSPZ SPESSORI DIN 2084B | SPACING COLLARS DIN 2084B

Codice d'ordine Order Code	STATUS	d	S	H
CLSPZ 22				
CLSPZ 22X60	NEW ●	22	60	34
CLSPZ 22X100	NEW ●	22	100	34
CLSPZ 27 * Versione (DIN 2084A) (DIN 2084A) Version				
CLSPZ 27*	■	27	-	39
CLSPZ 27X2	NEW ●	27	2	41
CLSPZ 27X3	NEW ●	27	3	41
CLSPZ 27X4	NEW ●	27	4	41
CLSPZ 27X5	NEW ●	27	5	41
CLSPZ 27X6	NEW ●	27	6	41
CLSPZ 27X10	NEW ●	27	10	41
CLSPZ 27X20	NEW ●	27	20	41
CLSPZ 27X30	NEW ●	27	30	41
CLSPZ 27X60	NEW ●	27	60	41
CLSPZ 27X100	NEW ●	27	100	41
CLSPZ 32				
CLSPZ 32X2	NEW ●	32	2	47
CLSPZ 32X3	NEW ●	32	3	47
CLSPZ 32X4	NEW ●	32	4	47
CLSPZ 32X5	NEW ●	32	5	47
CLSPZ 32X6	NEW ●	32	6	47
CLSPZ 32X10	NEW ●	32	10	47
CLSPZ 32X20	NEW ●	32	20	47
CLSPZ 32X30	NEW ●	32	30	47
CLSPZ 32X60	NEW ●	32	60	47
CLSPZ 32X100	NEW ●	32	100	47
CLSPZ 40				
CLSPZ 40X2	NEW ●	40	2	55
CLSPZ 40X3	NEW ●	40	3	55
CLSPZ 40X4	NEW ●	40	4	55
CLSPZ 40X5	NEW ●	40	5	55
CLSPZ 40X6	NEW ●	40	6	55
CLSPZ 40X10	NEW ●	40	10	55
CLSPZ 40X20	NEW ●	40	20	55
CLSPZ 40X30	NEW ●	40	30	55

■ Fino ad esaurimento scorte | Till stocks last

La gamma prosegue nella pagina successiva | The range continues on the next page >>

>> **CLSPZ** SPESSORI DIN 2084B | SPACING COLLARS DIN 2084B

Codice d'ordine Order Code	STATUS	d	S	H
CLSPZ 40				
CLSPZ 40X60	NEW ●	40	60	55
CLSPZ 40X100	NEW ●	40	100	55
CLSPZ 50				
CLSPZ 50X2	NEW ●	50	2	69
CLSPZ 50X3	NEW ●	50	3	69
CLSPZ 50X4	NEW ●	50	4	69
CLSPZ 50X5	NEW ●	50	5	69
CLSPZ 50X6	NEW ●	50	6	69
CLSPZ 50X10	NEW ●	50	10	69
CLSPZ 50X20	NEW ●	50	20	69
CLSPZ 50X30	NEW ●	50	30	69
CLSPZ 50X60	NEW ●	50	60	69
CLSPZ 50X100	NEW ●	50	100	69

Portautensili abbinabili | Compatible Toolholders

01 SK - DIN 69871		02 MAS403 - BT		03 HSK - DIN 69893		04 POLYGONAL		05 DIN 2080	
ISOAC ..	p. 052	BTAC ...	p. 100	HSKAC ...	p. 145	-	-	2080AC ...	p. 183



01



02



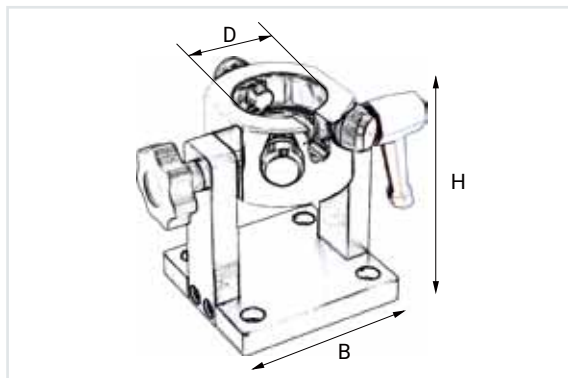
03



05

SMTC

SUPPORTO DI MONTAGGIO MECCANICO MECHANICAL MOUNTING SUPPORT



Codice d'ordine Order Code	STATUS	D	Base Base	H	Per interfaccia For interface
SMTC					
SMTC 30	NEW ●	50	150	160	SK30 (SK - DIN 69871; MAS403 - BT; DIN2080) SK 50A (HSK - DIN 69893) C5 (POLYGONAL)
SMTC 40	NEW ●	63	150	160	SK40 (SK - DIN 69871; MAS403 - BT; DIN2080) SK 63A (HSK - DIN 69893) C6 (POLYGONAL)
SMTC 50	NEW ●	100	200	210	SK50 (SK - DIN 69871; MAS403 - BT; DIN2080) SK 100A (HSK - DIN 69893) C10 (POLYGONAL)

Portautensili abbinabili | Compatible Toolholders

01 SK - DIN 69871	02 MAS403 - BT	03 HSK - DIN 69893	04 POLYGONAL	05 DIN 2080
--------------------------	-----------------------	---------------------------	---------------------	--------------------

ISO ..	p. 018	BT ...	p. 070	HSK ..	p. 116	PLG ..	p. 158	2080 ..	p. 172
--------	--------	--------	--------	--------	--------	--------	--------	---------	--------

